



Propane Portable Heater
MH-0375-LM10
OPERATOR'S MANUAL



CAUTION

RISK OF INJURY! READ ENTIRE MANUAL BEFORE OPERATING!
THIS MANUAL IS AN IMPORTANT PART OF THE PORTABLE HEATER
AND MUST REMAIN WITH THIS UNIT!




247218

TABLE OF CONTENTS

INTRODUCTION.....	3
IMPORTANT SAFETY INSTRUCTIONS.....	4
WHAT TO DO IF THE SMELL OF GAS IS PRESENT.....	7
PORTABLE HEATER FEATURES.....	9
PRODUCT FEATURES.....	9
PROPANE INFORMATION.....	9
HEATER SPECIFICATIONS.....	9
GENERAL SAFETY INFORMATION.....	10
IMPORTANT SAFETY INFORMATION.....	10
VENTILATION.....	12
INSTALLATION.....	12
OPERATION.....	13
TO START HEATER.....	13
EXTENSION CORD SIZE REQUIREMENT.....	14
TO SHUT DOWN HEATER.....	14
TO RESTART HEATER.....	14
MAINTENANCE.....	15
MAINTENANCE.....	15
SERVICE PROCEDURES.....	15
REMOVING PROTECTIVE COVER.....	15
FAN.....	15
IGNITOR.....	16
STORAGE.....	16
TROUBLESHOOTING.....	17
STATEMENT OF WARRANTY.....	18

WARNING

 **WARNING:** This product can expose you to chemicals including Lead, which is known to the State of California to cause cancer and birth defects or other reproductive harm. For more information go to www.P65Warnings.ca.gov

INTRODUCTION

Congratulations on the purchase of your new Mi-T-M® Portable Heater! You can be assured your Mi-T-M® Portable Heater was constructed with the highest level of precision and accuracy. Each component has been rigorously tested by technicians to ensure the quality, endurance and performance of this heater.

This operator's manual was compiled for your benefit. By reading and following the simple safety, installation and operation, maintenance and troubleshooting steps described in this manual, you will receive years of trouble free operation from your new Portable Heater. The contents of this manual are based on the latest product information available at the time of publication. The Manufacturer reserves the right to make changes in price, color, materials equipment, specifications or models at any time without notice.



IMPORTANT!

A "DANGER, WARNING or CAUTION" safety warning will be surrounded by a "SAFETY ALERT BOX". This box is used to designate and emphasize Safety Warnings that must be followed when operating this heater. Accompanying the safety warnings are "Signal Words" which designate the degree or level of hazard seriousness. The "Signal Words" used in this manual are as follows:

DANGER: INDICATES AN IMMINENTLY HAZARDOUS SITUATION WHICH, IF NOT AVOIDED, WILL RESULT IN DEATH OR SERIOUS INJURY.

WARNING: INDICATES A POTENTIALLY HAZARDOUS SITUATION WHICH, IF NOT AVOIDED, COULD RESULT IN DEATH OR SERIOUS INJURY.

CAUTION: INDICATES A POTENTIALLY HAZARDOUS SITUATION WHICH, IF NOT AVOIDED MAY RESULT IN MINOR OR MODERATE INJURY OR DAMAGE TO THE HEATER.

The symbols set below are "Safety Alert Symbols". These symbols are used to call attention to items or procedures that could be dangerous to you or other persons using this equipment.



ALWAYS PROVIDE A COPY OF THIS MANUAL TO ANYONE USING THIS EQUIPMENT. READ ALL INSTRUCTIONS IN THIS MANUAL AND ANY INSTRUCTIONS SUPPLIED BY MANUFACTURERS OF SUPPORTING EQUIPMENT BEFORE OPERATING THE PORTABLE HEATER AND ESPECIALLY POINT OUT THE "SAFETY WARNINGS" TO PREVENT THE POSSIBILITY OF PERSONAL INJURY TO THE OPERATOR.

Once the unit has been uncrated, immediately write in the serial number of your unit in the space provided below.

SERIAL NUMBER _____

Inspect for signs of obvious or concealed freight damage. If damage does exist, file a claim with the transportation company immediately. Be sure that all damaged parts are replaced and that the mechanical and electrical problems are corrected prior to operation of the unit. If you require service, contact Mi-T-M® Customer Service.

Mi-T-M® Corporation, 50 Mi-T-M Drive, Peosta, IA 52068
563-556-7484 / 800-553-9053 / Fax 563-556-1235
Monday - Friday 8:00 a.m. - 5:00 p.m. CST

Please have the following information available for all service calls:



1. Model Number
2. Serial Number
3. Date and Place of Purchase

IMPORTANT SAFETY INSTRUCTIONS





READ ALL SAFETY WARNINGS BEFORE USING PORTABLE HEATER




Hazard	Potential Consequence	Prevention
<p>RISK OF ELECTRIC SHOCK OR ELECTROCUTION</p> 	<p>Serious injury or death could occur if the portable heater is not properly grounded. Your heater is powered by electricity and may cause electric shock or electrocution if not used properly.</p> <p>Electrical shock may occur if the heater is not operated properly.</p> <p>Serious injury or death may occur if electrical repairs are attempted by unqualified persons.</p>	<p>Installation of this unit, including all electrical connections, must comply with all local, state and national codes.</p> <p>This product must be grounded. Connect to a GFCI circuit breaker when available. If the unit should malfunction or breakdown, grounding provides a path of least resistance for electric current to reduce the risk of electric shock. Do not ground to a gas supply line.</p> <p>Improper connection of the equipment-grounding conductor can result in a risk of electrocution. Check with a qualified electrician or service personnel if you are in doubt as to whether the system is properly grounded.</p> <p>Always be certain the unit is receiving proper voltage. Specified on the model plate of the heater. Use only a three-prong, grounded outlet and extension cord.</p> <p>Keep all connections dry and install the heater so that it is not directly exposed to water spray, rain, dripping water or wind.</p> <p>Any electrical wiring or repairs performed on this heater should be done by Authorized Service Personnel in accordance with National and Local electrical codes.</p> <p>Always unplug the heater when not in use.</p>
<p>RISK OF BURNS</p> 	<p>Serious injury could occur from touching exposed metal parts. These areas can remain hot for some time after the heater is turned off.</p>	<p>Never allow any part of your body or other materials to make contact with any exposed metal parts on the heater.</p>


IMPORTANT SAFETY INSTRUCTIONS

Hazard	Potential Consequence	Prevention
<p>RISK OF EXPLOSION OR FIRE</p> <div style="text-align: center;">  </div> <div style="text-align: center;">  </div>	<p>Serious injury or death may occur from normal electrical sparks in motor and pressure switch</p> <p>Serious injury may occur if the heater air inlet or outlet is blocked.</p> <p>Serious injury or death may occur if improper fuels are used, if heater is running while refilling.</p> <p>Serious injury may occur if heater is not placed on level surface and is kept away from children and animals.</p>	<p>Always operate heater in a well ventilated area free of flammable vapors, combustible dust, gases or other combustible materials.</p> <p>Never place objects in front of air inlet (rear) or air outlet (front) of heater. Never use duct work in front or at rear of heater. Keep all combustible material away from this heater.</p> <p>Never use fuels such as gasoline, benzene, paint thinners, or other oil compounds in this heater. This heater is EXTREMELY HOT while in operation.</p> <p>Never store an LP cylinder inside a building or in the vicinity of any gas burning appliance.</p> <p>Bulk fuel storage should be a minimum of 25 ft. from heaters, torches, portable generators, or other sources of ignition. All fuel storage should be in accordance with federal, state, or local authorities having jurisdiction.</p> <p>Never move or handle heater while still hot or connected to an electrical outlet.</p> <p>If equipped with a thermostat, the heater may start at any time.</p> <p>Always locate heater on a stable and level surface away from children and animals.</p>

IMPORTANT SAFETY INSTRUCTIONS

Hazard	Potential Consequence	Prevention
<p>RISK TO BREATHING</p> 	<p>Serious injury or death could occur from failure to provide proper ventilation according to this manual..</p>	<p>This is a direct-fired, forced air heater. It is primarily intended for use for temporary heating of buildings under construction, alteration or repair. Direct-fired means that all of the combustion products of the heater enter the heated space. This appliance does produce small amounts of carbon monoxide. Carbon monoxide is toxic. Humans can tolerate small amounts of carbon monoxide, and precautions should be taken to provide proper ventilation.</p> <p>Early signs of carbon monoxide poisoning resemble the flu. Symptoms of improper ventilation are: * headache * dizziness * burning of the nose and eyes * nausea * dry mouth * sore throat</p> <p>Use this heater only in well ventilated areas! Provide at least a three square foot (2,800 sq cm) opening of outside air for every 100,000 BTU/hr of heater rating.</p> <p>People with breathing problems should consult a physician before using the heater.</p> <p>Carbon Monoxide Poisoning: Early signs of carbon monoxide poisoning resemble flu-like symptoms such as headaches, dizziness, and/or nausea. If you have these symptoms, your heater may not be working properly.</p> <p>Get fresh air at once! Have the heater serviced. Some people are more affected by carbon monoxide than others. These include pregnant women, those with heart or lung problems, anemia, or those under the influence of alcohol, or at high altitudes.</p> <p>Never use this heater in living or sleeping areas.</p>

IMPORTANT SAFETY INSTRUCTIONS

 **FIRE, BURN, INHALATION, AND EXPLOSION HAZARD. KEEP COMBUSTIBLES, SUCH AS BUILDING MATERIALS, PAPER OR CARDBOARD, A SAFE DISTANCE AWAY FROM THE HEATER AS RECOMMENDED BY THESE INSTRUCTIONS. NEVER USE THE HEATER IN SPACES WHICH CONTAIN PRODUCTS SUCH AS GASOLINE, SOLVENTS, PAINT THINNERS, DUST PARTICLES, VOLATILE OR AIRBORNE COMBUSTIBLES, OR ANY UNKNOWN CHEMICALS. THIS IS AN UNVENTED PORTABLE HEATER. IT USES AIR (OXYGEN) FROM THE AREA IN WHICH IT IS USED. ADEQUATE COMBUSTION AND VENTILATION AIR MUST BE PROVIDED. REFER TO VENTILATION.**

 **WARNING: IF THE INFORMATION IN THIS MANUAL IS NOT FOLLOWED EXACTLY, A FIRE OR EXPLOSION MAY RESULT CAUSING PROPERTY DAMAGE, PERSONAL INJURY OR LOSS OF LIFE.**

DO NOT STORE OR USE GASOLINE OR OTHER FLAMMABLE VAPORS AND LIQUIDS IN THE VICINITY OF THIS OR ANY OTHER APPLIANCE.

AN LP CYLINDER NOT CONNECTED FOR USE SHALL NOT BE STORED IN THE VICINITY OF THIS OR ANY OTHER APPLIANCE.

WHAT TO DO IF THE SMELL OF GAS IS PRESENT:

DO NOT attempt to light heater

Extinguish any open flame

Shut off gas to heater


If odor continues, contact your local gas supplier or fire department.

Do not touch any electric switch, do not use any phone in your building

Immediately call your gas supplier from a neighbors phone. Follow the gas suppliers instructions

If you can not reach your gas supplier, call the fire department

Service must be done by a qualified service agency or the gas supplier.

 **CALIFORNIA RESIDENTS: COMBUSTION BY-PRODUCTS PRODUCED WHEN USING THIS PRODUCT CONTAIN CARBON MONOXIDE, A CHEMICAL KNOWN TO THE STATE OF CALIFORNIA TO CAUSE CANCER AND BIRTH DEFECTS (OR OTHER REPRODUCTIVE HARM). DO NOT OPERATE THIS HEATER UNTIL YOU HAVE READ, AND THOROUGHLY UNDERSTAND THESE SAFETY AND OPERATING INSTRUCTION. FAILURE TO COMPLY WITH THE PRECAUTIONS AND INSTRUCTIONS PROVIDED WITH THIS HEATER CAN RESULT IN DEATH, SERIOUS BODILY INJURY, PROPERTY LOSS OR DAMAGE FROM THE HAZARDS OF FIRE, EXPLOSION, BURNS, ASPHYXIATION OR CARBON MONOXIDE POISONING. ONLY PERSONS WHO CAN READ AND UNDERSTAND THESE INSTRUCTIONS SHOULD USE OR SERVICE THIS HEATER.**

 **! SAVE THESE INSTRUCTIONS !** 

 **WARNING: NEVER LEAVE HEATER UNATTENDED WHILE BURNING OR WHILE CONNECTED TO A POWER SOURCE**

 **WARNING** 

**THE FOLLOWING PAGES CONTAIN OPERATING AND
MAINTENANCE INSTRUCTIONS.**

**DO NOT ATTEMPT TO OPERATE THIS PORTABLE HEATER
UNTIL YOU HAVE READ AND UNDERSTOOD ALL SAFETY
PRECAUTIONS AND INSTRUCTIONS LISTED IN THIS MANUAL.**

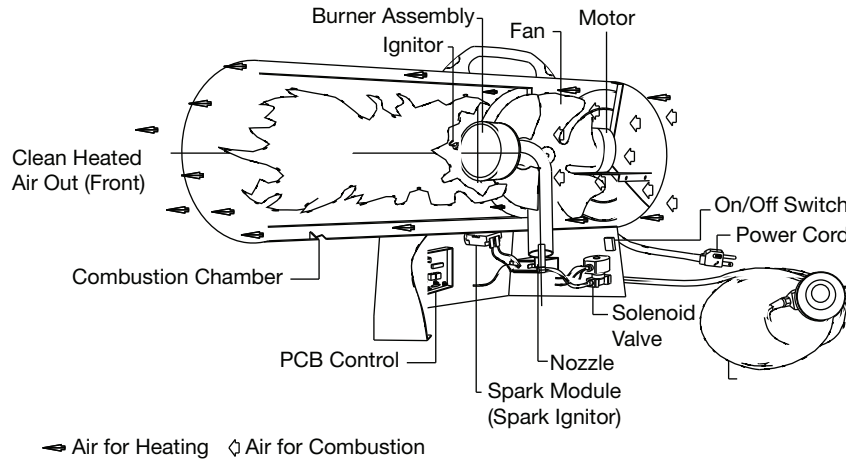
**INCORRECT OPERATION OF THIS UNIT CAN CAUSE SERIOUS
INJURY!!**

**DO NOT ALTER OR MODIFY THIS EQUIPMENT
IN ANY MANNER!**

**NEVER LEAVE HEATER UNATTENDED WHILE BURNING OR
WHILE CONNECTED TO A POWER SOURCE**

PORTABLE HEATER FEATURES

Model shown MH-0375-LM10



PRODUCT FEATURES

- Portable, stable and fully assembled.
- Wind resistant and rain protected.
- Continuous spark ignition or piezo spark ignition.
- 100% safety shut-off system.
- Adjustable input ratings.
- Adjustable Height Controller.

PROPANE INFORMATION

The Propane (LP) cylinder must also be equipped with the following:

- A collar to protect the gas valve.
- A shut-off valve terminating a LP cylinder valve outlet as specified in the American National Standard for Compressed Gas Cylinder Valve Outlets and Inlet Connections.
- A safety relief valve having direct communications with the vapor space of the LP cylinder.
- An arrangement of vapor withdrawal.

HEATER SPECIFICATIONS

Model	MH-0375-LM10
Rating BTU/Hr	225,000-375,000
Fuel Consumption Lbs/Hr	10.4 to 17.4
Electrical Input	120V, 60 Hz
Regulator Outlet Pressure	7-18 PSIG
Motor	1/5 HP 1,660 RPM
Size (L x W x H)	34" x 12.6" x 18.5"
Net Weight (Lbs)	41


⚠ WARNING: NEVER LEAVE HEATER UNATTENDED WHILE BURNING OR WHILE CONNECTED TO A POWER SOURCE

GENERAL SAFETY INFORMATION

 **WARNING: IMPROPER USE OF THIS HEATER CAN RESULT IN SERIOUS INJURY OR DEATH FROM BURNS, FIRE, EXPLOSION, ELECTRICAL SHOCK AND /OR CARBON MONOXIDE POISONING.**

This heater is designed and approved for use as a construction heater in accordance with the standard for Gas-Fired Construction Heaters ANS Z83.7 * CSA 2.14-2017. CHECK WITH YOUR LOCAL FIRE SAFETY AUTHORITY IF YOU HAVE ANY QUESTIONS ABOUT APPLICATIONS. Other standards govern the use of fuel gasses and heating products for specific uses. Your local authority can advise you about these.

 **WARNING: NOT FOR USE WITH DUCT WORK.**

 **WARNING: NOT FOR HOME OR RECREATIONAL VEHICLE USE. THE HOSE ASSEMBLY SHALL BE PROTECTED FROM TRAFFIC, BUILDING MATERIAL AND CONTACT WITH HOT SURFACES BOTH DURING USE AND WHILE IN STORAGE. THEORY OF OPERATION**

IMPORTANT: Read this User's Manual carefully and completely before attempting to operate or service this heater. Improper use of the heater can cause serious injury or death from fire, explosion and carbon monoxide poisoning.

Every possible circumstance that may involve a hazard cannot be anticipated. The warnings in this manual and attached to the unit are therefore not all-inclusive. If a procedure, work method or operating technique not specifically recommended by the manufacturer is used, you must be sure it is safe for you and others. You should also insure that equipment will not be damaged or made unsafe by the operating or maintenance method you choose. CHECK WITH YOUR LOCAL FIRE SAFETY AUTHORITY IF YOU HAVE ANY QUESTIONS ABOUT APPLICATIONS. This heater is designed and approved for use as a construction heater under ANSI Z83.7.

Other standards govern the use of fuel gasses and heat producing products in specific applications. Your local authority can advise you of these.

You must provide the propane gas and cylinder(s). Use this heater only with a propane vapor withdrawal supply system. Refer to Chapter 5 of the Standard for Storage and Handling of Liquefied Petroleum Gas, ANSI/NFPA 58. Your local library or fire department will have this booklet.

 **WARNING: AIR QUALITY HAZARD**

- Do not use this heater for heating human living quarters
- Use of direct-fired heaters in the construction environment can result in exposure to levels of CO, CO₂, and NO₂ considered to be hazardous to health and potentially life threatening
- Do not use in unventilated areas
- Know the signs of CO and CO₂ poisoning • Headaches, stinging eyes • Dizziness, disorientation • Difficulty breathing, feels of being suffocated
- Proper ventilation air exchange (OSHA 29 CFR 1926.57) to support combustions and maintain acceptable air quality shall be provided in accordance with OSHA 29 CFR Part 1926.154, ANSI A10.10 Safety Requirements for Temporary and Portable Space Heating Devices and Equipment used in the Construction Industry or the Natural Gas and Propane Installation Codes CSA B149.1
- Periodically monitor levels of CO, CO₂ and NO₂ existing at the construction site – at the minimum at the start of the shift and after 4 hours.
- Provide ventilation air exchange, either natural or mechanical, as required to maintain acceptable indoor air quality
- Ensure that the flow of combustion and ventilation air exchanges cannot become obstructed
- As the building “tightens up” during the construction phase ventilation may need to be increased

 **WARNING: NEVER LEAVE HEATER UNATTENDED WHILE BURNING OR WHILE CONNECTED TO A POWER SOURCE**

GENERAL SAFETY INFORMATION

USA 8-Hr Time weighted average (OSHA 29 CFR 1926.55 App A)

CO	50 ppm
CO ₂	5000 ppm
NO ₂	

USA – Ceiling Limit (Short Term Exposure Limit = 15 minutes)

CO	
CO ₂	
NO ₂	5 ppm

Canada 8-hr time weighted average WorkSafe BC OHS Guidelines Part 5.1 and Ontario Work-places Reg 833

CO	25 ppm
CO ₂	5000 ppm
NO ₂	3 ppm (Reg 833)

Canada STEL (15 minutes Reg 833/1 hour WSBC) WorkSafe BC OHS Guidelines Part 5.1 and Ontario Work-places Reg 833

CO	100 ppm
CO ₂	15,000 ppm (WSCB) 30,000 ppm (Reg 833)
NO ₂	1.0 ppm (WorkSafeBC) 5.0 ppm (Reg 833)

Note: Installation of this appliance at altitudes above 2000 ft (610 m) shall be in accordance with local codes, or in the absence of local codes, the National Fuel Gas Code, ANSI Z223.1/NFPA 54, or National Standard of Canada, Natural Gas and Propane Installation Code, CSA B149.1.

IMPORTANT SAFETY INFORMATION

1. Children should be kept away.
2. Always maintain proper clearance from combustible materials.
3. Minimum clearance should be: Sides - 2' Top - 6' Rear - 72"
4. Heater must be placed on level and solid footing.
5. Never place anything, including clothes or other flammable items on heater.
6. Do not modify heater, or operate a heater that has been modified.
7. Adequate clearance for accessibility, combustion and ventilation (air supply) must be maintained at all times when heater is operating.
8. Service and repair should be performed by a qualified service person. The heater should be inspected before each use, and at least annually by a qualified person. More frequent cleaning may be required as necessary. Do not service heater while hot or operating.
9. Never connect heater to an unregulated gas supply.
10. Use only the electrical/power cord specified. Electrical grounding instructions-This appliance is equipped with a three prong (grounding) plug for your protection against shock hazard and should be plugged directly into a properly grounded three-prong receptacle.
11. To prevent injury, always wear gloves when handling heater. Never handle an operating or hot heater, as severe burns may result.



WARNING: NEVER LEAVE HEATER UNATTENDED WHILE BURNING OR WHILE CONNECTED TO A POWER SOURCE

GENERAL SAFETY INFORMATION

12. Use heater in accordance with all local codes. In the absence of local codes, refer to The National Fuel Code, ANSI Z223.1
13. This heater is shipped from the factory for use with LP (propane) gas only. Do not convert to any other gas. Installation must conform to local codes, or in their absence, with the standard for the Storage and Handling of Liquefied Petroleum Gases ANSI/NFPA 58.
14. Use only the regulator and hose assembly provided with this heater. Inspect the regulator/hose assembly prior to each use of the heater. If there is excessive abrasion or wear, or if the hose is cut, replace it with the proper assembly shown in the parts list, prior to using the heater.
15. Gas supply connections should be checked by using a 50/50 soap and water solution. Never use a flame to check for gas leaks.
16. Locate LP cylinder at least 6 feet from the heater, and do not direct heater discharge towards the LP cylinder unless it is at least 20 feet from the heater.
17. The electrical connection and grounding must comply with the National Electrical Code, ANSI/NFPA 70. Use only a properly grounded three (3) prong receptacle.
18. Do not restrict air inlet or outlet areas of the heater.
19. When used with optional thermostat heater may start at anytime.
20. Do not use heater outdoors or in occupied dwellings.
21. Do not adjust regulator below 7 PSIG or above 18 PSIG.
22. Use only original replacement parts. This heater must use design-specific parts. Do not substitute or use generic parts. Improper replacement parts could cause serious or fatal injuries.
23. Do not alter heater. Keep heater in its original state.
24. Do not use heater if altered.
25. Keep propane tank(s) below 100°F
26. Turn off the gas supply at the cylinder when the heater is not is use

INSTALLATION

WARNING: REVIEW AND UNDERSTAND ALL OF THE WARNINGS IN THE SAFETY INFORMATION SECTION. THEY ARE REQUIRED TO OPERATE THIS HEATER SAFELY. FOLLOW ALL LOCAL AND STATE CODES WHEN OPERATING THIS HEATER.

WARNING: AFTER INSTALLING ALL GAS PIPING, AND MAKING THE PROPER CONNECTIONS, BE SURE TO CHECK FOR LEAKS. APPLY A 50/50 MIXTURE OF DISH SOAP AND WATER MIXTURE TO ALL CONNECTIONS. BUBBLES FORMING ARE EVIDENCE OF A LEAK. BE SURE TO CORRECT ALL LEAKS AT ONCE.

1. Provide propane supply system as outline above.
2. Connect POL fitting on hose/regulator assembly to propane tank(s) by turning the fitting COUNTERCLOCKWISE into the threads on the valve on top of the tank. Finish by tightening firmly, using 7/8" wrench.

Important: To protect the regulator from weather damage, tighten the fitting with the black adjustment knob pointing down.

3. Connect female end of hose to the inlet connector of the heater, and tighten firmly with a wrench.

Important: Use extra piping or hose if necessary to connect the heater to the gas supply, but always use the regulator supplied with the heater.

4. Open supply valve on propane tank(s) SLOWLY.

Note: If this valve is not opened slowly, the excess flow tank will interrupt the gas flow. If this happens, close the supply valve and reopen slowly.

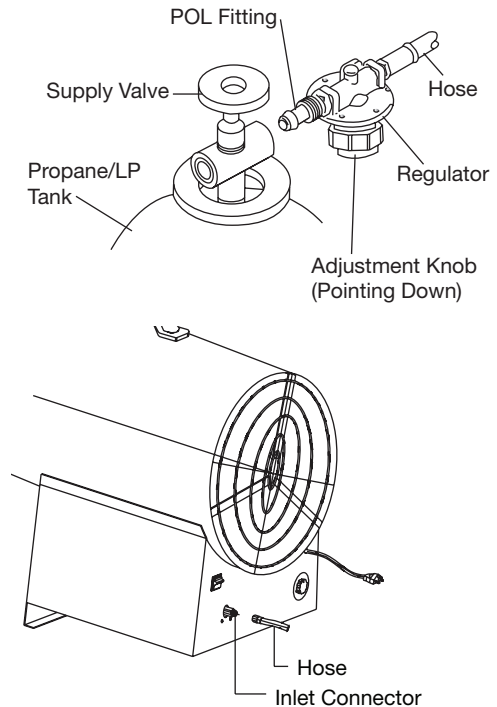
5. Adjust the regulator to between 7 and 18 PSIG.

WARNING: DO NOT ADJUST THE REGULATOR ABOVE 18 PSIG OR BELOW 7 PSIG, OR THE HEATER MAY NOT OPERATE PROPERLY.

6. Check all connections for leaks.

WARNING: NEVER USE AN OPEN FLAME TO CHECK FOR LEAKS. APPLY A 50/50 SOLUTION OF LIQUID DISH SOAP AND WATER TO CHECK ALL CONNECTIONS. CORRECT ALL LEAKS IMMEDIATELY.

7. Close propane supply valve.



VENTILATION

WARNING: ALWAYS FOLLOW THE MINIMUM FRESH AIR VENTILATION REQUIREMENTS. IF THESE GUIDELINES ARE NOT FOLLOWED, CARBON MONOXIDE POISONING CAN OCCUR. ALWAYS PROVIDE PROPER AMOUNTS OF FRESH AIR BEFORE OPERATING THIS HEATER.

Provide at least three square feet of fresh, outside air from each 100,000 BTU/Hr of rating. This heater requires a fresh air opening of at least 11.25 square feet. Provide extra fresh air if more heaters are being used.

WARNING: NEVER LEAVE HEATER UNATTENDED WHILE BURNING OR WHILE CONNECTED TO A POWER SOURCE

OPERATION

THEORY OF OPERATION

Fuel System. The hose/regulator assembly runs from the propane supply to the heater itself. After the gas runs through the hose and regulator, it passes through the solenoid valve and out the nozzle into the combustion chamber.

Air System. The internal motor turns the fan, which pushes air around and through the combustion chamber. Here the air is heated and provides a constant stream of warmth.

Ignition system. The spark module sends voltage to the ignitor. The ignitor ignites the fuel and air mixture.

Safety Control System. This system shuts the heater down if the flame is extinguished. The fan and motor will continue to operate, but there will not be any heat.

Propane Supply. All propane gas tanks are to be provided by the user.

This heater should only be used with a tank that has a vapor withdrawal system. Refer to the Standard of Storage and Handling of Liquefied Petroleum Gas, ANSI/NFPA 58, Chapter 5. Your local fire department or library will have this information.

Two factors will dictate how much propane is used from each tank:

1. The amount of gas in each tank.
2. The surrounding air temperature at each tank.

The chart below shows how many tanks should be used at a given temperature. This heater should not be operated with a tank smaller than 100 pounds.

Average Temp. (°F)	Number of Tanks
40°	3
32°	Use larger tank
20°	Use larger tank
10°	Use larger tank
0°	Use larger tank
-10°	Use larger tank
-20°	Use larger tank

As the temperature drops, less gas is vaporized, so large tank may be necessary in very cold weather. Never operate this heater with a tank smaller than 100 pounds. Your local propane dealer can help you select the proper tank size and configuration.

OPERATION

 **WARNING: REVIEW AND UNDERSTAND ALL OF THE WARNINGS IN THE SAFETY INFORMATION SECTION, IN THIS MANUAL. THEY ARE REQUIRED TO OPERATE THIS HEATER SAFELY. FOLLOW ALL LOCAL AND STATE CODES WHEN OPERATING THIS HEATER.**

TO START HEATER

1. Follow all safety, installation and ventilation instructions in this manual.
2. Position the heater on a stable and level surface, and be sure that no drafts blow into the inlet or outlet of the heater.
3. Plug the power cord of the heater into a three hold grounded extension cord. Be sure that the extension cord is at least 6 feet long, and is UL listed.

 **WARNING: NEVER LEAVE HEATER UNATTENDED WHILE BURNING OR WHILE CONNECTED TO A POWER SOURCE**

OPERATION

EXTENSION CORD SIZE REQUIREMENT

- Up to 50 feet long, use 18 AWG rated cord.
 - 51 to 100 feet long, use 16 AWG rated cord.
 - 101 to 200 feet long, use 14 AWG rated cord.
4. Plug extension cord into a 120 volt/60 hertz, three hole grounded outlet.
 5. Open supply valve on propane tank(s) SLOWLY.

Note: If this valve is not opened slowly, the excess flow check valve on the tank will interrupt the gas flow. If this happens, close the supply valve and reopen slowly.

6. Adjust the regulator to between 7 and 18 PSIG.

⚠ WARNING: DO NOT ADJUST THE REGULATOR ABOVE 18 PSIG OR BELOW 7 PSIG, OR THE HEATER MAY NOT OPERATE PROPERLY.

7. Turn on/off switch to the ON position. Heater will start within twenty seconds.

Note: If the heater does not start following this procedure, turn on/off switch to OFF position and wait 10 seconds. This will allow the safety control to reset, and you can try to light the heater once again.

⚠ WARNING: NEVER LEAVE HEATER UNATTENDED WHILE BURNING OR WHILE CONNECTED TO A POWER SOURCE

TO SHUT DOWN HEATER

1. Tightly close control valve on propane tank(s).
2. Give the heater a few seconds to burn the gas still left in the hose.
3. Turn on/off switch to the OFF position.
4. Unplug extension cord from power source.

TO RESTART HEATER

Note: If the safety control stops the flow of gas to the heater, the motor will continue to run. To restart the heater:

1. Turn on/off switch to the OFF position.
2. Wait ten seconds, then turn switch to the ON position.

If heater does not restart:

- Check all control valves to assure that they are open.
- Check the fuel level in the propane tanks. If the level is too low, replace the tank with a full one.

If heater still does not restart, contact your nearest Service Center.

MAINTENANCE

⚠ WARNING: DO NOT ATTEMPT TO SERVICE THE HEATER WHILE IT IS HOT, OPERATING OR PLUGGED IN. SEVERE BURNS OR ELECTRICAL SHOCK CAN OCCUR.

1. Be sure to inspect the heater before each use. Check for leaks using the method described in this manual. Repair any leaks immediately.
2. Always keep heater clean. Clean the heater annually, or as often as needed to remove any dust or debris. When the heater becomes dirty, wipe it down with a damp cloth.
3. Keep the inside of the heater free from foreign objects and combustibles.
4. Have the heater inspected annually by a qualified service person.
5. Keep inside of heater free of foreign objects and combustible materials.

SERVICE PROCEDURES

⚠ WARNING: NEVER SERVICE HEATER WHILE HOT, OPERATING OR CONNECTED TO THE GAS SUPPLY. SEVERE BURNS OR ELECTRICAL SHOCK MAY OCCUR.

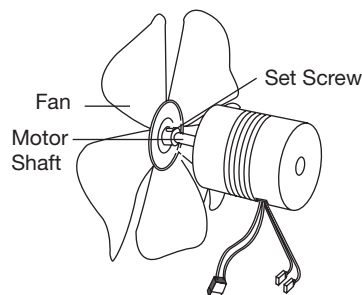
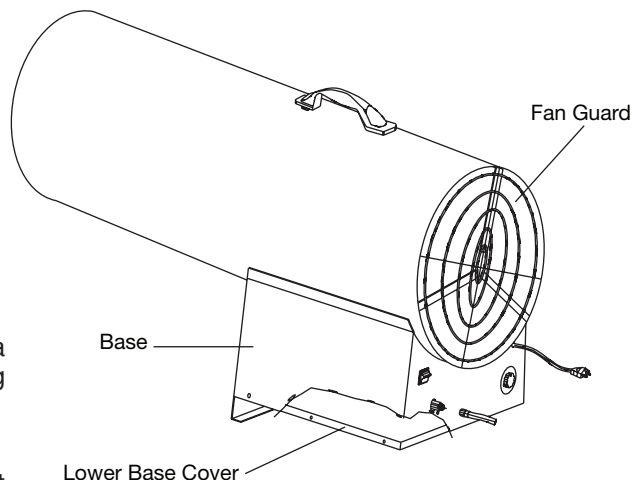
REMOVING PROTECTIVE COVER

1. Remove lower base cover at the bottom of the heater.
2. Remove fan guard.

FAN

Important: Always remove the fan from the motor shaft before removing the motor assembly from the heater. This will help prevent damage to the fan.

1. Remove fan setscrew using a 1/8" Allen wrench.
2. Remove lower base cover.
3. Remove fan guard.
4. Remove base.
5. Disconnect lead wires attached to the motor.
6. Remove motor assembly.
7. Using a soft cloth moistened with kerosene or a cleaning solvent, carefully clean the fan blades making sure not to bend them.
8. Dry fan with clean cloth.
9. Making sure that the setscrew lines up with the flat spot on the motor shaft, replace fan as shown. Tighten setscrew firmly (be careful not to overtighten).
10. Reconnect lead wires as shown in the Wiring Diagram.
11. Reassemble base, fan guard and lower base cover.



IGNITOR

The only maintenance necessary for the ignitor is to be sure that the gap between the electrodes is kept between 0.13" and 0.15". The ignitor is accessible through the combustion chamber.

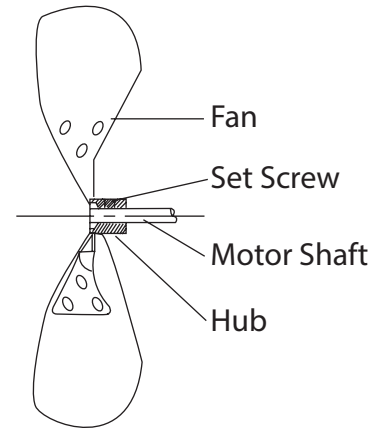
STORAGE

⚠ CAUTION: ALWAYS DISCONNECT THE HEATER FROM THE PROPANE TANKS WHEN NOT IN USE.

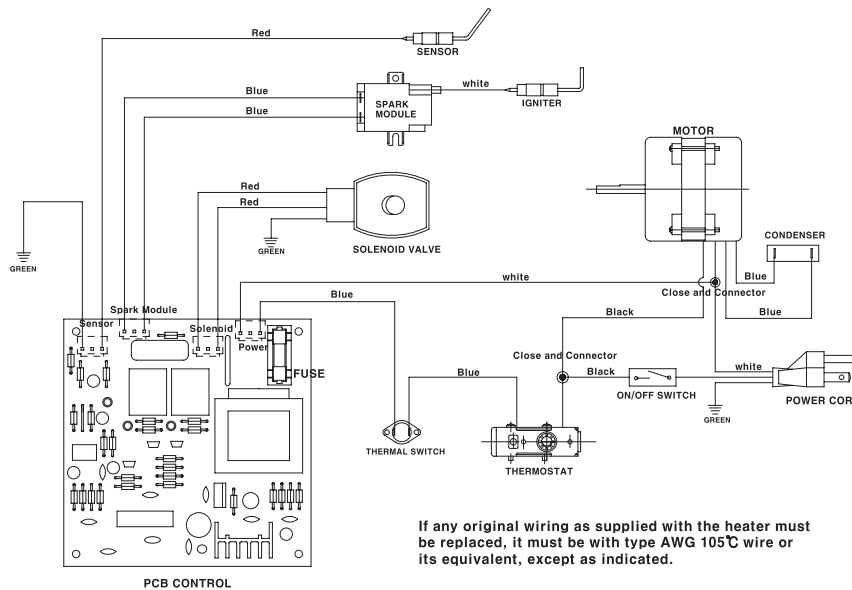
⚠ WARNING: NEVER LEAVE HEATER UNATTENDED WHILE BURNING OR WHILE CONNECTED TO A POWER SOURCE

MAINTENANCE

1. Always store propane tanks in accordance with Chapter 5 of the Standard for storage and handling of Liquefied Petroleum Gasses, ANSI/NDPA 58. Follow all local codes.
2. Replace the plastic caps over the fittings that were installed when you originally unpacked your heater.
3. Store the heater in a safe, clean and dry location. Do not store the hose/regulator assembly inside the combustion chamber of the heater.
4. When removing the heater from storage, always check inside of the heater for any foreign objects left by spiders or small animals. Keep the inside of the heater clean from foreign objects and combustibles.



⚠ WARNING: NEVER LEAVE HEATER UNATTENDED WHILE BURNING OR WHILE CONNECTED TO A POWER SOURCE



TROUBLESHOOTING

SYMPTOM

PROBABLE CAUSE

REMEDY

Fan does not turn when electricity is connected

1. No electric power to heater
2. Blades of fan in contact with heater housing
3. Fan blades bent
4. Fan motor defective

1. Check current at outlet. If voltage is correct, inspect extension and power cords for cuts, frays or breaks
2. Check housing for damage. Be sure there are no dents in the housing obstructing the fan
3. Straighten all fan blades
4. Replace Motor Assembly

Heater will not fire (ignite)

1. No spark at module
2. Incorrect spark gap
3. Bad electrode

1. Inspect module wire. Reattach, or tighten if loose. Inspect Spark module, and replace if necessary. Inspect all other electrical components
2. Set plug gap to 0.16" (4mm)
3. Replace spark plug)

Heater stops running by itself

1. Temperature inside heater is too high, causing limit switch to shut down operation
2. Damaged control valve
3. Dust or debris accumulated in heater

1. If heater input or output is restricted, the inside temperature can become too hot. Keep the areas in front and behind heater clear of obstructions
2. Replace control valve)
3. Clean inside of heater



STATEMENT OF WARRANTY

Mi-T-M warrants this heater to the original retail purchaser only, to be free from defects in material and workmanship for a period of

one (1) year from the date of initial purchase.

This product must be properly installed, maintained and operated in accordance with the instructions provided. Mi-T-M requires reasonable proof of your date of purchase from an authorized retailer or distributor. Therefore, you should keep your sales slip, invoice, or cancelled check from the original purchase.

EXCLUSIONS

1. This Limited Warranty shall be limited to the repair or replacement of parts, which prove defective Mi-T-M shall determine at its reasonable discretion. This warranty does not include wear items: filters, vanes, nozzles, and rotors.
2. This Limited Warranty does not cover any failures or operating difficulties due to normal wear and tear, accident, abuse, misuse, alteration, misapplication, improper installation or improper maintenance and service by you or any third party. Failure to perform normal and routine maintenance on the heater, shipping damage, damage related to insects, birds, or animals of any kind, and damage due to weather conditions are also not covered.
3. In addition, the Limited Warranty does not cover damage to the finish, such as scratches, dents, discoloration, rust or other weather damage, after purchase.

All transportation costs for the return of the damaged product or parts will be the responsibility of the purchaser. Upon receipt of damaged item, Mi-T-M will examine the item and determine if defective. Mi-T-M will repair or replace and return the item, freight pre-paid. If Mi-T-M finds the item to be in normal operating condition, or not defective, the item will be returned freight collect.

This Limited Warranty is in lieu of all other express warranties. Mi-T-M disclaims all warranties for products that are purchased from sellers other than authorized retailers or distributors.

AFTER THE PERIOD OF THE ONE (1) YEAR EXPRESS WARRANTY EXPIRES, MI-T-M DISCLAIMS ANY AND ALL IMPLIED WARRANTIES, INCLUDING WITHOUT LIMITATION THE IMPLIED WARRANTIES OF MERCHANTABILITY AND FITNESS FOR A PARTICULAR APPLICATION. FURTHER, MI-T-M SHALL HAVE NO LIABILITY WHATSOEVER TO PURCHASER OR ANY THIRD PARTY FOR ANY SPECIAL, INDIRECT, PUNITIVE, INCIDENTAL, OR CONSEQUENTIAL DAMAGES.

Mi-T-M assumes no responsibility for any defects caused by third parties. This Limited Warranty gives the purchaser specific legal rights; a purchaser may have other rights depending upon where he or she lives. Some states do not allow the exclusion or limitation of special, incidental or consequential damages, or limitations on how long a warranty lasts, so the above exclusion and limitations may not apply to you. Mi-T-M does not authorize any person or company to assume for it any other obligation or liability in connection with the sale, installation, use, removal, return, or replacement of its equipment, and no such representations are binding on Mi-T-M. Always be sure to specify model number and serial number when making any claim with Mi-T-M.

**For Service or Warranty Consideration, contact
Mi-T-M® Corporation, 50 Mi-T-M Drive, Peosta, IA 52068
563-556-7484 / 800-553-9053 / Fax 563-556-1235
Monday - Friday 8:00 a.m. - 5:00 p.m. CST**

TABLE OF CONTENTS

IMPORTANT!	21
IMPORTANTES CONSIGNES DE SECURITE	22
!GARDER CES INSTRUCTIONS!	25
CARACTÉRISTIQUES.	27
CARACTÉRISTIQUES DU PRODUIT.	27
INFORMATIONS SUR LE PROPANE.....	27
SPÉCIFICATIONS.	27
INFORMATIONS GÉNÉRALES SUR LA SÉCURITÉ.	28
IMPORTANT SAFETY INFORMATION.....	29
INFORMATIONS GÉNÉRALES SUR LA SÉCURITÉ.	29
VENTILATION.	31
INSTALLATION.	31
ALIMENTATION EN GAZ PROPANE.	32
FONCTIONNEMENT.	32
POUR DÉMARRER LE CHAUFFAGE:.....	33
EXIGENCES DES DIMENSIONS DE LA RALLONGE ELECTRIQUE:.....	33
POUR ARRÊTER L'APPAREIL DE CHAUFFAGE.....	33
POUR REDEMARRER L'APPAREIL DE CHAUFFAGE.....	33
PROCÉDURES D'ENTRETIEN.	34
RETIRER LE COUVERCLE DE PROTECTION.....	34
VENTILATEUR.	34
ENTRETIEN.	34
ALLUMEUR.	35
ENTREPOSAGE.	35
DÉPANNAGE.	36
GARANTIE LIMITÉE.	37

⚠ AVERTISSEMENT

⚠ AVERTISSEMENT: Ce produit peut vous exposer à des produits chimiques, tel que le plomb, qui est reconnu par l'état de la Californie comme étant une cause de cancer, d'anomalies congénitales et d'autres problèmes liés à la reproduction. Pour plus de renseignements, aller à www.P65Warnings.ca.gov

INTRODUCTION

Félicitations de l'achat de votre nouveau le radiateur! Vous pouvez être assuré que votre nouveau le radiateur a été construit avec le plus haut niveau de précision et de fiabilité. Chaque composant a été rigoureusement testé par des techniciens pour assurer la qualité, la durabilité et la performance de le radiateur.

Ce manuel opérateur a été dressé pour que vous en retiriez le meilleur parti. Par la lecture et l'application des mesures simples de sécurité, d'installation et d'opération, d'entretien et de dépannage décrites dans ce manuel, votre nouveau le radiateur fonctionnera sans faille pendant de nombreuses années. Le contenu de ce manuel est basé sur la dernière information disponible du produit au moment de la publication. Mi-T-M® se réserve le droit d'effectuer des changements de prix, de couleur, de matériaux, d'équipement, de caractéristiques ou de modèles à tout moment sans communication préalable.



IMPORTANT!

Les avertissements de sécurité "DANGER, AVERTISSEMENT ou ATTENTION" seront entourés par un "ENCADRE ALERTE SECURITE". Cet encadré est utilisé pour indiquer et souligner les avertissements de sécurité qui doivent être suivis en actionnant ce compresseur d'air. En plus des avertissements de sécurité, des "mots d'alerte" sont utilisés pour indiquer le degré ou niveau de risque. Les "mots d'alerte" utilisés dans ce manuel sont comme suit:

DANGER: INDIQUE UNE SITUATION AU DANGER IMMINENT QUI, SI ELLE N'EST PAS ÉVITÉE, ENTRAÎNERA LA MORT OU DES BLESSURES GRAVES.

AVERTISSEMENT: INDIQUE UNE SITUATION POTENTIELLEMENT DANGEREUSE QUI, SI ELLE N'EST PAS ÉVITÉE, POURRAIT ENTRAÎNER LA MORT OU DES BLESSURES GRAVES.

ATTENTION: INDIQUE UNE SITUATION POTENTIELLEMENT DANGEREUSE, QUI, SI ELLE N'EST PAS ÉVITÉE, PEUT ENTRAÎNER DES BLESSURES MINEURES OU PEU GRAVES ET DES DÉGATS AU COMPRESSEUR.



Les symboles placés à gauche de ce paragraphe sont des "symboles d'alerte de sécurité". Ces symboles sont utilisés pour souligner les points ou les procédures qui pourraient être dangereuses pour vous ou tout autre personne utilisant cet équipement.

Fournissez toujours une copie de ce manuel à toute personne utilisant cet équipement. Lisez toutes les instructions dans ce manuel et toutes instructions fournies par les fabricants d'équipement de support avant d'utiliser ce compresseur d'air et attirer spécialement l'attention aux "Avertissements de Sécurité" pour éviter la possibilité de blessures pour l'utilisateur.

Une fois l'appareil déballé, écrivez immédiatement le numéro de série de votre appareil dans l'espace ci-dessous.

NUMERO DE SERIE _____



Assurez-vous qu'il n'y a pas de signes de dommages évidents ou cachés suite au transport. En cas de dommage, remplissez immédiatement une réclamation avec la compagnie de transport. Assurez-vous que toutes les pièces endommagées sont remplacées et les problèmes mécaniques et électriques corrigés avant l'utilisation de l'appareil. Si vous avez besoin d'assistance, entrez en contact avec votre service clientèle.

Mi-T-M® Corporation, 50 Mi-T-M Drive, Peosta, IA 52068
563-556-7484 / 800-553-9053 / Fax 563-556-1235
du lundi au vendredi de 8h00 à 17h, CST (heure centrale)

Veuillez avoir les informations suivantes disponibles pour toute intervention:



1. Numéro de modèle
2. Numéro de série
3. Date et lieu d'achat

IMPORTANTES CONSIGNES DE SECURITE

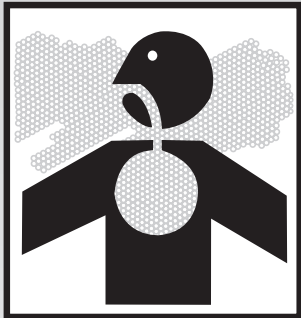
Hazard	Potential Consequence	Prevention
<p>RISQUE DE DÉCHARGE ÉLECTRIQUE OU D'ÉLECTROCUTION</p> 	<p>Des étincelles électriques dans le moteur et l'interrupteur de pression peuvent être la cause de blessures graves ou la mort.</p> <p>Une décharge électrique peut se produire si le compresseur n'est pas utilisé correctement.</p> <p>Des risques de mort ou de blessures graves peuvent survenir si des réparations électriques sont effectuées par des personnes inexpérimentées.</p>	<p>tous les branchements électriques, doivent respecter tous les codes locaux et nationaux.</p> <p>Cet appareil doit être mis à la terre. Connecter le à un disjoncteur mis à la terre si il y en a un de disponible. Si l'appareil s'avère défectueux ou tombe en panne, la mise à la terre offre un trajet de moindre résistance au courant électrique pour réduire le risque de décharges électriques. Ne pas mettre à la terre à une ligne d'alimentation de gaz.</p> <p>Une connexion inappropriée du conducteur de mise à la terre d'équipement peut provoquer un risque d'électrocution. Consulter un électricien qualifié en cas de doute sur la mise à la terre du système.</p> <p>Soyez toujours certain que l'appareil reçoit un voltage correct (+/-5% du voltage inscrit sur la plaque du fabricant). Avant de faire des raccordements électriques, soyez certain que les interrupteurs sont en position d'ARRÊT (OFF).</p> <p>Garder tous les branchements au sec et au dessus du sol. Ne jamais faire fonctionner le compresseur dans des conditions humides.</p> <p>Toutes réparations ou tout câblage électrique effectués sur le compresseur doivent être effectués par le personnel d'un centre de service autorisé qualifié conformément aux codes d'électricité locaux et nationaux.</p>
<p>RISQUE DE BRULURES</p> 	<p>Le fait de toucher les surfaces de métal exposées peut causer de graves blessure. Ces surfaces peuvent rester chaudes pendant un certain temps après l'arrêt du chauffage.</p>	<p>Le fait de toucher les surfaces de métal exposées peut causer de graves blessure. Ces surfaces peuvent rester chaudes pendant un certain temps après l'arrêt du chauffage.</p>

⚠ ADVERTISSEMENT: NE JAMAIS LAISSER UN CHAUFFAGE À AIR PULSÉ SANS SURVEILLANCE LORSQU'IL BRULE OU LORSQU'IL EST BRANCHE A UNE SOURCE D'ALIMENTATION.


IMPORTANTES CONSIGNES DE SECURITE

Hazard	Potential Consequence	Prevention
<p>RISQUES D'INCENDIE ET D'EXPLOSION</p> <div style="text-align: center;">   </div>	<p>Des étincelles électriques dans le moteur et l'interrupteur de pression peuvent être la cause de blessures graves ou la mort.</p> <p>Des blessures graves peuvent survenir si la prise ou la sortie d'air du chauffage est obstruée..</p> <p>Des blessures graves, voire la mort, peuvent survenir si le bon carburant n'est pas utilisé ou si le chauffage fonctionne durant le ravitaillement.</p> <p>Toujours placer le chauffage sur une surface stable et plane à l'écart des enfants et des animaux.</p>	<p>N'utiliser ce chauffage que dans un endroit bien ventilé libre de vapeurs inflammables, de poussière combustible ou de toute autre matière combustible.</p> <p>Ne jamais placer d'objets devant la prise d'air (à l'arrière) ou la sortie d'air(à l'avant). N'utiliser jamais de système de canalisation d'air à l'avant ou à l'arrière du chauffage. Eloigner du chauffage toutes les matières combustibles.</p> <p>NE JAMAIS utiliser de carburants tels que l'essence, le benzène, les diluants de peinture ou autres composés d'huile dans ce chauffage (RISQUE D'INCENDIE OU D'EXPLOSION) NE JAMAIS bouger ou manipuler le chauffage lorsqu'il est encore chaud.</p> <p>NE JAMAIS transporter le chauffage avec du carburant dans son réservoir.</p> <p>L'entreposage de carburant en gros doit être maintenu à une distance d'un minimum de 25 pieds (7m60) des chauffages, torches, groupes électrogènes portables ou toutes autres sources d'inflammation. Tout entreposage de carburant doit être conforme aux réglementations des autorités locales, d'état ou fédérale ayant juridiction.</p> <p>Ne stockez jamais un cylindre de LP à l'intérieur d'un bâtiment ou à proximité de n'importe quel appareil à gaz.</p> <p>NE JAMAIS bouger ou manipuler le chauffage lorsqu'il est encore chaud.</p> <p>IlLe chauffage peut démarrer à tout moment s'il est équipé d'un thermostat.</p> <p>TOUJOURS placer le chauffage sur une surface stable et plane. TOUJOURS maintenir les enfants et les animaux à l'écart du chauffage</p>

IMPORTANTES CONSIGNES DE SECURITE

Hazard	Potential Consequence	Prevention
<p style="text-align: center;">RISQUE DE PROBLEME RESPIRATOIRE</p> 	<p>Des blessures graves, voire la mort peuvent survenir si une bonne ventilation n'est pas fournie selon les consignes de ce manuel.</p>	<p>Ce chauffage est un chauffage au kérosène à air pulsé et à feu direct. Il est principalement conçu pour fournir un chauffage temporaire pour les bâtiments en construction, sous transformations ou en réparations. Chauffage à feu direct signifie que tous les produits de combustion de l'appareil de chauffage entrent dans l'espace chauffé. Cet appareil a une efficacité de combustion de 98 %, mais produit une petite quantité d'oxyde de carbone. L'oxyde de carbone est toxique. Les humains peuvent tolérer de petites quantités d'oxyde de carbone et des précautions doivent être prises pour fournir une ventilation appropriée. Le fait de ne pas fournir une ventilation appropriée selon ce manuel peut aboutir à la mort.</p> <p>Intoxication à l'oxyde de carbone: Les premiers signes de l'intoxication à l'oxyde de carbone ressemblent aux symptômes de la grippe tels que des maux de tête, des étourdissements, et/ou la nausée. Il est possible que votre chauffage ne marche pas correctement si vous éprouvez ces symptômes.</p> <p>Risque de pollution de l'air intérieur. Utiliser le radiateur seulement dans un endroit bien ventilé. Fournir une ouverture sur de l'air frais d'au moins 2800 cm² (3 pi²) pour chaque 100 000 BTU/h Fournir de l'air frais supplémentaire si plus d'un radiateur est utilisé.</p> <p>Les personnes avec des problèmes de respiration doivent consulter un médecin avant d'utiliser ce chauffage.</p> <p>Intoxication à l'oxyde de carbone: Les premiers signes de l'intoxication à l'oxyde de carbone ressemblent aux symptômes de la grippe tels que des maux de tête, des étourdissements, et/ou la nausée. Il est possible que votre chauffage ne marche pas correctement si vous éprouvez ces symptômes.</p> <p>Obtenir de l'air frais immédiatement ! Faire entretenir le chauffage. Certaines personnes sont plus atteintes par l'oxyde de carbone que les autres. Ceci inclut les femmes enceintes, les personnes avec des problèmes de cœur ou de poumon, celles sous l'influence d'alcool ou en haute altitude.</p> <p>Ne jamais utiliser ce chauffage dans les espaces d'habitation ou dans les pièces où l'on dort.</p>

IMPORTANTES CONSIGNES DE SECURITE

 **RISQUE D'INCENDIE, DE BRÛLURE, D'INHALATION ET D'EXPLOSION. GARDER LES COMBUSTIBLES SOLIDES, COMME LES MATÉRIAUX DE CONSTRUCTION, LE PAPIER OU LE CARTON, À UNE DISTANCE SÉCURITAIRE DU RADIATEUR, SELON LES RECOMMANDATIONS DE CE MANUEL. NE JAMAIS UTILISER LE RADIATEUR DANS DES ENDROITS QUI CONTIENNENT OU POURRAIENT CONTENIR DES MATIÈRES COMBUSTIBLES VOLATILES OU EN SUSPENSION DANS L'AIR, OU ENCORE DES PRODUITS COMME DE L'ESSENCE, DES SOLVANTS, DES DILUANTS À PEINTURE, DES PARTICULES DE POUSSIÈRE OU DES PRODUITS CHIMIQUES INCONNUS..**

Si les informations contenues dans ce manuel ne sont pas suivies à la lettre, un incendie ou une explosion peuvent survenir et causer des dommages matériels, des blessures ou la mort.

- Ne pas entreposer ni utiliser d'essence ou d'autres vapeurs ou liquides inflammables à proximité de ce radiateur ou de tout autre appareil.

- Une bouteille de GPL (gaz propane liquide) qui n'est pas raccordée pour être utilisée ne doit pas être entreposée à proximité de cet appareil ou de tout autre appareil.

- **QUE FAIRE SI UNE ODEUR DE GAZ EST PRÉSENTE :**

- **NE PAS** tenter d'allumer le radiateur

- Éteindre toute flamme nue

- Couper l'alimentation en gaz vers le radiateur


- Si l'odeur persiste, contacter votre fournisseur de gaz local où le service des incendies.


- Ne toucher à aucun interrupteur électrique et n'utiliser aucun téléphone dans votre édifice.

- Appeler immédiatement votre fournisseur de gaz à partir du téléphone d'un voisin. Suivre les instructions du fournisseur de gaz.

- Si le fournisseur de gaz ne peut être rejoint appeler le service des incendies.

- La réparation doit être effectuée par une agence de service qualifiée ou par le fournisseur de gaz.

 **L'ÉTAT DE CALIFORNIE EXIGE D'APPOSER L'AVERTISSEMENT SUIVANT (PROPOSITION 65) : LES SOUS-PRODUITS DE COMBUSTION DÉGAGÉS PAR CET APPAREIL CONTIENNENT DU MONOXYDE DE CARBONE, UN PRODUIT CHIMIQUE REÇU PAR L'ÉTAT DE CALIFORNIE POUR CAUSER LE CANCER ET DES ANOMALIES CONGÉNITALES (OU D'AUTRES EFFETS NOCIFS SUR LA REPRODUCTION).**

 **NE PAS UTILISER CE RADIATEUR AVANT D'AVOIR LU ET ENTIÈREMENT COMPRIS CES DIRECTIVES DE SÉCURITÉ ET D'UTILISATION. LE FAIT DE NÉGLIGER DE RESPECTER LES PRÉCAUTIONS ET LES INSTRUCTIONS FOURNIES AVEC CE RADIATEUR PEUT ENTRAÎNER LA MORT, DES BLESSURES GRAVES, DES PERTES OU DES DOMMAGES MATÉRIELS SUITE AUX RISQUES D'INCENDIE, D'EXPLOSION, DE BRÛLURES, D'ASPHYXIE OU D'EMPOISONNEMENT AU MONOXYDE DE CARBONE. SEULES DES PERSONNES APTES À LIRE ET À COMPRENDRE CES INSTRUCTIONS DOIVENT UTILISER OU ENTREtenir CE RADIATEUR.**



!GARDER CES INSTRUCTIONS!





**LES PAGES SUIVANTES CONTIENNENT LES
CONSIGNES D'UTILISATION ET D'ENTRETIEN.
NE TENTER PAS DE FAIRE FONCTIONNER CE
COMPRESSEUR D'AIR AVANT D'AVOIR LU ET
COMPRIS TOUTES LES PRECAUTIONS ET
CONSIGNES DE SECURITE CONTENUES DANS
CE MANUEL.**

**L'UTILISATION INAPPROPRIEE DE CET
APPAREIL PEUT CAUSER DES BLESSURES
SERIEUSES!!**

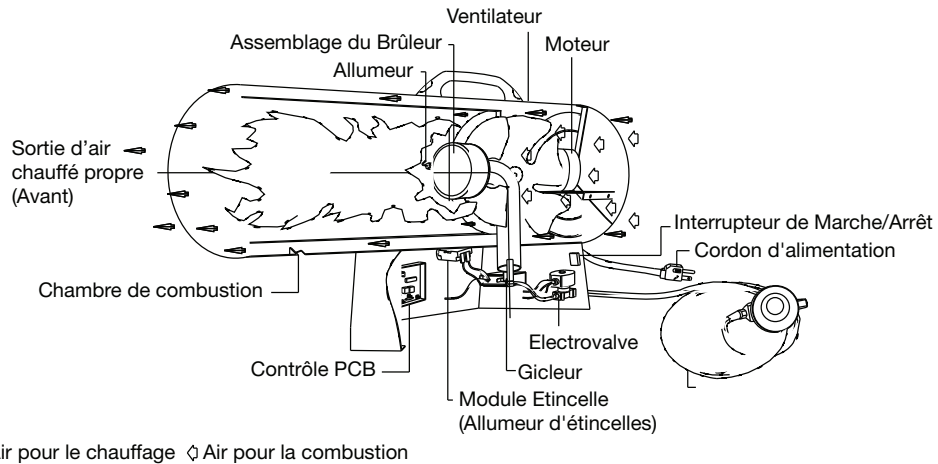
**NE PAS ALTERER OU MODIFIER CET
EQUIPEMENT EN AUCUNE MANIERE!**

**NE JAMAIS LAISSER UN CHAUFFAGE À AIR PULSÉ SANS
SURVEILLANCE LORSQU'IL BRULE OU LORSQU'IL EST BRANCHE A
UNE SOURCE D'ALIMENTATION.**

**AVERTISSEMENT: NE JAMAIS LAISSER L'APPAREIL DE CHAUFFAGE
SANS SURVEILLANCE LORSQU'IL FONCTIONNE OU LORSQU'IL EST
BRANCHÉ À UNE SOURCE D'ALIMENTATION EN CARBURANT OU
D'ÉLECTRICITÉ.**

CARACTÉRISTIQUES

Model shown MH-0375-LM10



CARACTÉRISTIQUES DU PRODUIT

- Portable, stable et entièrement assemblé.
- Résistant au vent et protégé contre la pluie.
- Allumage à étincelle continue ou piézo.
- Système de fermeture entièrement sécuritaire.
- Débit calorifique réglable.

INFORMATIONS SUR LE PROPANE

Le réservoir de GPL doit aussi être équipé des accessoires suivants:

- Un collier qui protège le robinet de gaz
- Un robinet d'arrêt au bout de la sortie du robinet de la bouteille de propane, comme spécifié dans les normes américaines pour les sorties et les entrées de robinets d'évacuation pour bouteille de gaz.
- Une soupape de sûreté en communication directe avec l'espace de vapeur du réservoir.
- Un dispositif de retrait de vapeur..

SPÉCIFICATIONS

Modèle	MH-0375-LM10
Débit calorifique	225,000-375,000
Consommation de gaz	10,4 to 17,4
Entrée électrique	120V, 60 Hz
Pression du distributeur	48,26 kPa-124,10 kPa
Moteur	1/5 HP 1,660 RPM
Dimensions L x lar x H	86 cm x 32 cm x 46,99 cm
Poids kg (lb)	18,59 kg

INFORMATIONS GÉNÉRALES SUR LA SÉCURITÉ

⚠ L'UTILISATION INAPPROPRIÉE DE CE RADIATEUR PEUT CAUSER DES BLESSURES GRAVES OU MORTELLES SUITE À DES BRÛLURES, UN INCENDIE, UNE EXPLOSION, UNE DÉCHARGE ÉLECTRIQUE ET/OU UN EMPOISONNEMENT AU MONOXYDE DE CARBONE.

Cette chaufferette est conçue et approuvée pour les chantiers de construction en conformité avec les normes ANS Z83.7 * et CSA 2.14-2017 régissant les chaufferettes de chantier à gaz. VÉRIFIER AVEC LE SERVICE LOCAL DES INCENDIES EN CAS DE QUESTIONS SUR L'APPLICATION. D'autres normes régissent l'utilisation des gaz combustibles et des produits de chauffage pour des utilisations spécifiques. Les autorités locales peuvent vous informer sur ces dernières.

⚠ AVERTISSEMENT: NE PAS UTILISER AVEC UN SYSTEME DE CANALISATION D'AIR.

⚠ AVERTISSEMENT: NE PAS UTILISER DANS LES DOMICILES OU LES CAMPING-CARS. L'ASSEMBLAGE DU TUYAU DOIT ÊTRE PROTÉGÉ DE LA CIRCULATION, DES MATÉRIAUX DE CONSTRUCTION ET DE TOUT CONTACT AVEC LES SURFACES CHAUDES PENDANT L'UTILISATION ET LORS DE L'ENTREPOSAGE.

Ne pas utiliser ce radiateur avant d'avoir lu et entièrement compris ces directives de sécurité et d'utilisation. Le non respect des précautions et des instructions fournies avec ce radiateur peut entraîner la mort, des blessures graves, des pertes ou des dommages matériels suite aux risques d'incendie, d'explosion, de brûlures, d'asphyxie ou d'empoisonnement au monoxyde de carbone. Seules des personnes aptes à comprendre et suivre ces instructions doivent utiliser ou entretenir ce radiateur.

Il est impossible de prévoir toutes les circonstances susceptibles de présenter des risques. Les avertissements dans ce manuel et ceux apposés sur l'appareil ne sont donc pas complets. Si on utilise une procédure, une méthode de travail ou une technique d'utilisation qui n'est pas spécifiquement recommandée on doit s'assurer qu'elle est sûre pour soi et pour les autres. S'assurer également que l'équipement ne sera pas endommagé ou rendu non sécuritaire par la méthode d'utilisation ou d'entretien choisie. VÉRIFIER AVEC LE SERVICE LOCAL DES INCENDIES SI L'ON A DES QUESTIONS SUR L'APPLICATION. Ce radiateur est conçu et homologué pour une utilisation comme radiateur de construction sous ANSI Z83.7.

D'autres normes régissent l'utilisation des gaz combustibles et des produits de chauffage pour des applications spécifiques. Les autorités locales peuvent vous informer sur ces dernières.

Vous devez fournir la/les bouteille(s) et le gaz propane. Ne se servir de cet appareil de chauffage qu'avec un système d'alimentation de Propane qui assure un soutirage de vapeur. Voir Chapitre 5 de La Norme pour l'Entreposage et la Manipulation du Gaz de Pétrole Liquéfié, ANSI/NFPA 58 . Votre bibliothèque locale ou les responsables locaux de la sécurité incendie auront cette brochure.

⚠ AVERTISSEMENT DANGER CONCERNANT LA QUALITÉ DE L'AIR

- Ne pas utiliser cet appareil pour chauffer les habitations
- L'utilisation de chaufferettes à feu direct dans les zones de construction peut entraîner une exposition à des niveaux de CO, CO et NO considérés comme dangereux et potentiellement mortels.
- Ne pas utiliser dans des zones non ventilées
- Savoir reconnaître les signes d'un empoisonnement aux CO et CO
- Maux de tête, sensation de brûlures aux yeux
- Étourdissements, désorientation
- Difficultés respiratoires, sensation de suffocation
- Fournir un échange d'air par une ventilation appropriée (OSHA 29 CFR 1926.57) pour maintenir la combustion et une qualité d'air acceptable, conformément à la norme OSHA 29 CFR, partie 1926.154, et aux exigences de sécurité de la norme ANSI A10.10 pour les dispositifs et équipements de chauffage temporaires et portatifs utilisés dans l'industrie de la construction ou aux Codes d'installation CSA B149.1 des systèmes de gaz naturel et de gaz propane.
- Surveiller périodiquement les niveaux de CO, CO₂ et NO₂ présents sur le chantier - au minimum au début du quart de travail et après 4 heures.

⚠ AVERTISSEMENT: NE JAMAIS LAISSER L'APPAREIL DE CHAUFFAGE SANS SURVEILLANCE LORSQU'IL FONCTIONNE OU LORSQU'IL EST BRANCHÉ À UNE SOURCE D'ALIMENTATION EN CARBURANT OU D'ÉLECTRICITÉ.

INFORMATIONS GÉNÉRALES SUR LA SÉCURITÉ

- Assurer un échange d'air par une ventilation appropriée, naturelle ou mécanique, afin de maintenir une qualité acceptable de l'air intérieur
- S'assurer que la circulation d'air de combustion et de ventilation n'est pas obstruée
- Au fur et à mesure que le bâtiment se « referme » dans les phases de construction, il peut être nécessaire d'augmenter la ventilation

États-Unis – Moyenne pondérée dans le temps sur 8 heures (OSHA 29 CFR 1926.55 App A)

CO	50 ppm
CO ₂	5000 ppm
NO ₂	

États-Unis – Seuil supérieur (Limite d'exposition de courte durée = 15 minutes)

CO	
CO ₂	
NO ₂	5 ppm

Canada – Moyenne pondérée dans le temps sur 8 heures Directives de Santé et sécurité au travail de la Colombie-Britannique, partie 5.1, et règlement 833 de Santé et sécurité au travail de l'Ontario

CO	25 ppm
CO ₂	5000 ppm
NO ₂	3 ppm (Reg 833)

Canada – Limite d'exposition de courte durée/STEL (15 minutes, règl. 833/1 heure, WSBC), directives de Santé et sécurité au travail de la Colombie-Britannique, partie 5.1, et règlement 833 de Santé et sécurité au travail de l'Ontario

CO	100 ppm
CO ₂	15,000 ppm (WSCB) 30,000 ppm (Reg 833)
NO ₂	1.0 ppm (WorkSafeBC) 5.0 ppm (Reg 833)

L'installation de cet appareil à des altitudes de plus 610 mètres (2 000 pi) doit être conforme aux codes locaux, ou en leur absence, au code National Fuel Gas Code ANSI Z223.1/NFPA 54 ou à la Norme nationale du Canada, Code d'installation du gaz naturel et du propane, CSA B149.1..

IMPORTANT SAFETY INFORMATION

1. Garder les enfants loin.
2. Toujours maintenir un dégagement adéquat des matériaux combustibles. Le dégagement minimal doit être de : Côtés – 61 cm, Dessus – 91,4 cm, Avant – 183 cm.
4. Placer le radiateur sur une base solide et de niveau.
5. Ne placer aucun objet, y compris des vêtements ou d'autres articles inflammables sur le radiateur.
6. Ne pas modifier le radiateur ou utiliser un radiateur qui a été modifié.
7. Maintenir un dégagement adéquat pour l'accessibilité, la combustion et la ventilation (alimentation en air) en tout temps lorsque le radiateur fonctionne.

 **AVERTISSEMENT: NE JAMAIS LAISSER L'APPAREIL DE CHAUFFAGE SANS SURVEILLANCE LORSQU'IL FONCTIONNE OU LORSQU'IL EST BRANCHÉ À UNE SOURCE D'ALIMENTATION EN CARBURANT OU D'ÉLECTRICITÉ.**

INFORMATIONS GÉNÉRALES SUR LA SÉCURITÉ

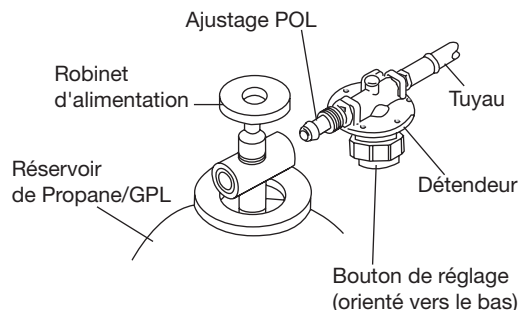
8. L'entretien et les réparations doivent être effectués par du personnel de service qualifié. Ce radiateur doit être inspecté avant chaque utilisation et au moins une fois par année par du personnel qualifié. Un nettoyage plus fréquent peut être requis si nécessaire. Ne pas réparer un radiateur chaud ou qui fonctionne.
9. Ne jamais connecter le radiateur à une alimentation en gaz sans régulation.
10. N'utiliser que le cordon d'alimentation/électrique spécifié. Instructions de mise à la terre: Cet appareil est équipé d'une fiche à trois branches (mise à la terre) pour votre protection contre les risques de choc électrique et doit être branché directement dans une prise de courant à trois branches avec mise à la terre.
11. Pour éviter les blessures, porter toujours des gants lors du maniement de l'appareil de chauffage. Ne jamais manipuler un appareil de chauffage chaud ou en marche. Des brûlures graves pourraient en résulter.
12. L'installation du radiateur doit être conforme aux codes locaux et/ou aux exigences des services de gaz ou, en l'absence de codes locaux, avec le National Fuel Code ANSI Z223.1.
13. Ce radiateur est expédié de l'usine pour être utilisé avec du gaz propane (GPL) seulement. Ne pas convertir vers un quelconque autre gaz. L'installation doit être conforme aux codes locaux, ou en leur absence, avec la norme du Storage and Handling of Liquefied Petroleum Gases ANSI/NFPA 58.
14. N'utiliser que l'ensemble régulateur et tuyau fournis avec ce radiateur. Inspecter l'ensemble régulateur/tuyau avant chaque utilisation du radiateur. Si l'abrasion ou l'usure est excessive, ou si le tuyau est coupé, le remplacer par l'ensemble qui convient, illustré dans la liste des pièces, avant d'utiliser le radiateur.
15. Vérifier les connexions d'alimentation en gaz avec une solution de 50/50 d'eau et de savon. Ne jamais utiliser de flamme pour flamme pour vérifier la présence de fuites de gaz.
16. Placer la bouteille de propane à au moins 1,8 m du radiateur et ne pas diriger l'évacuation du radiateur vers la bouteille de gaz à moins que celle-ci ne soit à au moins 6 m du radiateur.
17. La connexion électrique et la mise à la terre doivent être conformes au Code national de l'électricité, ANSI/NFPA 70. Use only a properly grounded three (3) prong receptacle.
18. Ne jamais bloquer les parties prise ou sortie d'air de ce chauffage.
19. Ce chauffage peut démarrer à tout moment lorsqu'il est utilisé avec un thermostat optionnel.
20. Ne pas utiliser le chauffage à l'extérieur ou dans des domiciles occupés.
21. Ne pas régler le détendeur en dessous de 7 PSIG ou au-dessus de 18 PSIG.
22. Ne se servir que de pièces de rechange d'origine. Cet appareil ne doit utiliser que des pièces à caractéristiques spécifiques. Ne pas substituer ou utiliser des pièces de rechange génériques. Des pièces de rechange incorrectes peuvent être la cause de blessures graves ou mortelles.
23. Ne pas modifier l'appareil de chauffage. Maintenir l'appareil de chauffage dans son état original.
24. Ne pas utiliser le chauffage s'il a été modifié.
25. Maintenir le/les réservoirs de Propane/GPL en dessous de 100° F (37.8°C).
26. Couper l'alimentation en gaz sur la bouteille de propane/GPL lorsque l'appareil de chauffage ne sert pas.

INSTALLATION

AVERTISSEMENT: EXAMINER ET COMPRENDRE TOUS LES AVERTISSEMENTS DANS LA PARTIE INFORMATIONS RELATIVES À LA SÉCURITÉ. CES AVERTISSEMENTS SONT ESSENTIELS AFIN DE FAIRE FONCTIONNER CET APPAREIL DE CHAUFFAGE SANS DANGER. SE CONFORMER À TOUS LES RÉGLEMENTS ET CODES LOCAUX LORS DE L'UTILISATION DE CE CHAUFFAGE.

AVERTISSEMENT: APRÈS AVOIR INSTALLÉ TOUTES LES CANALISATIONS DE GAZ ET AVOIR FAIT TOUS LES BONS RACCORDS, S'ASSURER QU'IL N'Y A PAS DE FUITES. APPLIQUER UN MÉLANGE EN QUANTITÉ ÉGALE D'EAU ET DE SAVON À TOUS LES RACCORDS. SI DES BULLES APPARAISSENT, IL Y A UNE FUIITE. RÉPARER TOUTES LES FUITES IMMÉDIATEMENT.

1. Fournir un système d'alimentation en gaz propane comme décrit ci dessus.
2. Raccorder l'ajustage POL de l'assemblage du tuyau/détendeur au/aux réservoir(s) de Propane/GPL en le tournant dans LE SENS INVERSE DES AIGUILLES D'UNE MONTRE dans le filetage de la valve se trouvant sur le dessus du réservoir. Finir en serrant solidement avec une clé de 7/8 pouces.



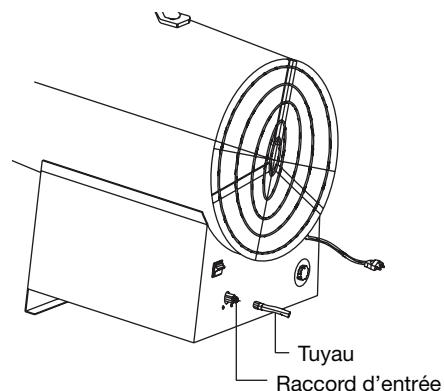
Important: Pour protéger le détendeur de dégâts dus aux intempéries, serrer l'ajustage avec le bouton noir de réglage orienté vers le bas.

3. Raccorder l'embout femelle du tuyau au raccord d'entrée du chauffage et serrer fermement avec une clé.

Important: Utiliser une canalisation ou un tuyau supplémentaire si nécessaire pour raccorder le chauffage à l'alimentation en gaz mais toujours utiliser le détendeur fourni avec ce chauffage.

4. Ouvrir LENTEMENT le robinet d'alimentation sur le/les réservoir(s) de propane/GPL.

Note: Si ce robinet n'est pas ouvert lentement, le réservoir de surplus de débit coupera l'écoulement du gaz. Dans tel cas, fermer le robinet d'alimentation et le rouvrir lentement.



5. Régler le détendeur entre 7 et 18 PSIG.

AVERTISSEMENT : NE PAS RÉGLER LE DÉTendeur AU DESSUS DE 18 PSIG OU EN DESSOUS DE 7 PSIG CAR IL SE PEUT QUE L'APPAREIL DE CHAUFFAGE NE MARCHE PAS CORRECTEMENT.

6. Vérifier que tous les raccords sont libres de fuites.

AVERTISSEMENT: NE JAMAIS LAISSER L'APPAREIL DE CHAUFFAGE SANS SURVEILLANCE LORSQU'IL FONCTIONNE OU LORSQU'IL EST BRANCHÉ À UNE SOURCE D'ALIMENTATION EN CARBURANT OU D'ÉLECTRICITÉ.

AVERTISSEMENT: NE JAMAIS UTILISER UNE FLAMME NUE POUR RECHERCHER UNE FUIITE. APPLIQUER UN MÉLANGE EN QUANTITÉ ÉGALE D'EAU ET DE SAVON VAISSELLE À TOUS LES RACCORDS. RÉPARER TOUTES LES FUITES IMMÉDIATEMENT.

7. Fermer le robinet d'alimentation en propane.

VENTILATION

AVERTISSEMENT: RESPECTER TOUJOURS LES NORMES MINIMALES DE VENTILATION PAR APPORT EN AIR FRAIS. SI CES NORMES NE SONT PAS RESPECTÉES, UNE INTOXICATION À L'OXYDE DE CARBONE EST POSSIBLE. CET APPORT D'AIR FRAIS DOIT AUSSI ÊTRE ASSURÉ AVANT MÊME LE DÉMARRAGE DE L'APPAREIL DE CHAUFFAGE.

FONCTIONNEMENT

Prévoir une ouverture d'air frais extérieur d'au moins 3 pieds carrés (2,800 cm²) pour chaque 100,000 BTU/heure de puissance. Ce chauffage nécessite une ouverture d'air frais d'au moins 11.25 pieds carrés. Prévoir une ouverture plus grande si plus d'appareils de chauffage sont utilisés.

THEORIE DE FONCTIONNEMENT

Système d'alimentation en carburant. L'assemblage du tuyau/détendeur s'étend de l'alimentation en propane jusqu'à l'appareil de chauffage lui-même. Après être passé par le tuyau et le détendeur, le gaz passe par l'électrovalve et ressort par le gicleur dans la chambre de combustion.

Système d'air. Le moteur interne fait tourner le ventilateur, ce qui pousse l'air dans et autour de la chambre de combustion. Ici, l'air est chauffé et fournit un flux constant de chaleur.

Système d'allumage. Le module étincelle envoie du courant à l'allumeur. L'allumeur allume le mélange de carburant et d'air.

Système de Contrôle de Sécurité. Ce système arrête le chauffage si la flamme s'éteint. Le ventilateur et le moteur continuent de fonctionner mais le chauffage n'émet pas de chaleur.

ALIMENTATION EN GAZ PROPANE

Tous les réservoirs de gaz Propane/GPL doivent être fournis par l'utilisateur.

La ou les bouteilles de GPL doivent être fournies par l'utilisateur. Utiliser ce radiateur uniquement avec un système de retrait de vapeur de propane. Se reporter au chapitre 5 de la norme ANSI/NFPA 58 (Standard for Storage and Handling of Liquefied Petroleum Gas) sur l'entreposage et la manipulation du GPL. Votre bibliothèque municipale ou votre service des incendies possède ce livret.

Les deux facteurs déterminants sont :

La quantité de gaz dans la bouteille.

La température de la bouteille et de ses environs.

Température moyenne °C (°F)	Bouteilles de
40°	3
32°	Utiliser un réservoir plus gros
20°	Utiliser un réservoir plus gros
10°	Utiliser un réservoir plus gros
0°	Utiliser un réservoir plus gros
-10°	Utiliser un réservoir plus gros
-20°	Utiliser un réservoir plus gros

Le tableau sur cette page montre le nombre minimum de bouteilles de 100 livres (45,36 kg) nécessaire par temps froid. Votre concessionnaire local de gaz GPL vous aidera à choisir le bon système d'alimentation. La quantité de gaz propane/GPL utilisé par ce chauffage varie.

Au fur et à mesure que la température tombe, moins de gaz est vaporisé et un réservoir plus grand sera peut être nécessaire par un temps très froid. Ne jamais faire fonctionner ce chauffage avec un réservoir plus petit que 100 livres (45,36 kg). Votre concessionnaire local de gaz GPL vous aidera à choisir la bonne taille et configuration de réservoir.

 **AVERTISSEMENT: EXAMINER ET COMPRENDRE TOUS LES AVERTISSEMENTS DANS LA PARTIE INFORMATIONS RELATIVES À LA SÉCURITÉ DE CE MANUEL. CES AVERTISSEMENTS SONT ESSENTIELS AFIN DE FAIRE FONCTIONNER CET APPAREIL DE CHAUFFAGE SANS DANGER. SE CONFORMER À TOUS LES RÉGLEMENTS ET CODES LOCAUX LORS DE L'UTILISATION DE CE CHAUFFAGE.**

 **AVERTISSEMENT: NE JAMAIS LAISSER L'APPAREIL DE CHAUFFAGE SANS SURVEILLANCE LORSQU'IL FONCTIONNE OU LORSQU'IL EST BRANCHÉ À UNE SOURCE D'ALIMENTATION EN CARBURANT OU D'ÉLECTRICITÉ.**

FONCTIONNEMENT

POUR DÉMARRER LE CHAUFFAGE:

1. Suivre toutes les consignes de sécurité, d'installation et de ventilation contenues dans ce manuel.
2. Placer le chauffage sur une surface plane et stable et s'assurer qu'aucun courant d'air ne souffle dans la prise ou la sortie d'air du chauffage.
3. Brancher le cordon d'alimentation du chauffage dans une rallonge électrique tri filaire avec mise à la terre. S'assurer que la rallonge mesure au moins 6 pieds (1,80 m) et qu'elle est de classe UL.



AVERTISSEMENT: NE JAMAIS LAISSER L'APPAREIL DE CHAUFFAGE SANS SURVEILLANCE LORSQU'IL FONCTIONNE OU LORSQU'IL EST BRANCHÉ À UNE SOURCE D'ALIMENTATION EN CARBURANT OU D'ÉLECTRICITÉ.

EXIGENCES DES DIMENSIONS DE LA RALLONGE ELECTRIQUE:

- Jusqu'à 50 pieds (15,24 m), utiliser une rallonge de calibre 18 AWG.
 - De 51 à 100 pieds de long (15,54 à 30,48 m), utiliser une rallonge de calibre 16 AWG.
 - De 101 à 200 pieds de long (30,8 à 61 m), utiliser une rallonge de calibre 14 AWG..
4. Brancher la rallonge électrique dans une prise de courant à trois branches de 120 volts/60 hertz avec mise à la terre.
 5. Ouvrir LENTEMENT le robinet d'alimentation en propane du/des réservoir(s).

Note: Si le robinet d'alimentation n'est pas ouvert lentement, le clapet d'excès de débit sur le réservoir de Propane/GPL coupera l'alimentation en gaz. En ce cas, fermer le robinet d'alimentation et le rouvrir lentement.

6. Régler le détendeur entre 7 PSIG et 18 PSIG.

Note: Si le robinet d'alimentation n'est pas ouvert lentement, le clapet d'excès de débit sur le réservoir de Propane/GPL coupera l'alimentation en gaz. En ce cas, fermer le robinet d'alimentation et le rouvrir lentement.



AVERTISSEMENT: NE PAS RÉGLER LE DÉTENDEUR AU DESSUS DE 18 PSIG OU EN DESSOUS DE 7 PSIG CAR IL SE PEUT QUE L'APPAREIL DE CHAUFFAGE NE MARCHE PAS CORRECTEMENT.

7. Tourner le bouton de marche/arrêt à la position de marche (ON). Le chauffage démarrera sous vingt secondes.

Note: Si le chauffage ne démarre pas en suivant ces étapes, placer l'interrupteur de marche/arrêt à la position d'arrêt (OFF) et attendre 10 secondes. Ceci permet au système de contrôle de sécurité de se réarmer, et vous pouvez essayer d'allumer le chauffage de nouveau.

POUR ARRETER L'APPAREIL DE CHAUFFAGE

1. Bien fermer le robinet d'alimentation en propane du/des réservoir(s) de Propane/GPL.
2. Attendre quelques secondes afin que l'appareil de chauffage brûle le gaz qui reste encore dans le tuyau.
3. Tourner le bouton de marche/arrêt jusqu'à la position d'arrêt (OFF).
4. Débrancher la rallonge électrique de la source d'alimentation.

POUR REDEMARRER L'APPAREIL DE CHAUFFAGE

Note: Si le système de contrôle de sécurité coupe l'alimentation en gaz du chauffage, le moteur continuera à tourner. Pour redémarrer le chauffage.

1. Tourner le bouton de marche/arrêt jusqu'à la position d'arrêt (OFF).
2. Attendre 10 secondes, puis tourner le bouton jusqu'à la position de marche (ON).

Si le chauffage ne redémarre pas:

- Vérifier que tous les robinets de contrôle sont ouverts.

Vérifier le niveau de carburant dans les réservoirs de propane/GPL. Si le niveau est trop bas, remplacer le réservoir avec un réservoir plein.

ENTRETIEN

Si le chauffage ne démarre toujours pas, contacter votre service clientèle le plus proche.

⚠ AVERTISSEMENT : NE JAMAIS FAIRE L'ENTRETIEN DE L'APPAREIL DE CHAUFFAGE PENDANT QU'IL EST BRANCHÉ, EN MARCHÉ OU CHAUD. DES BRÛLURES GRAVES ET UN CHOC ÉLECTRIQUE POURRAIENT EN RÉSULTER.

1. Inspecter l'appareil de chauffage avant chaque utilisation. Vérifier qu'il n'y a pas de fuites en utilisant la méthode décrite dans ce manuel. Réparer toutes les fuites immédiatement.
2. L'appareil de chauffage doit toujours rester propre. Nettoyer l'appareil de chauffage annuellement ou aussi souvent que nécessaire pour enlever la poussière et les débris. Si l'appareil de chauffage devient sale, le nettoyer avec un chiffon humide.
3. S'assurer que l'intérieur de l'appareil de chauffage ne contient aucune substance combustible et aucun corps étranger.
4. Faire inspecter l'appareil de chauffage annuellement par un centre de service qualifié.
5. S'assurer que l'intérieur de l'appareil de chauffage ne contient aucune substance combustible et aucun corps étranger.

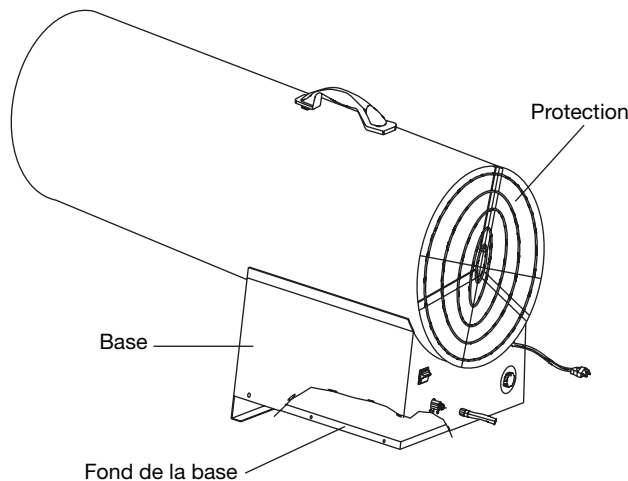
PROCEDURES D'ENTRETIEN

⚠ AVERTISSEMENT : NE JAMAIS FAIRE L'ENTRETIEN DE L'APPAREIL DE CHAUFFAGE PENDANT QU'IL EST BRANCHÉ, CONNECTÉ À L'ALIMENTATION EN PROPANE/GPL, EN MARCHÉ OU CHAUD. DES BRÛLURES GRAVES ET UN CHOC ÉLECTRIQUE POURRAIENT EN RÉSULTER.

⚠ AVERTISSEMENT: NE JAMAIS LAISSER L'APPAREIL DE CHAUFFAGE SANS SURVEILLANCE LORSQU'IL FONCTIONNE OU LORSQU'IL EST BRANCHÉ À UNE SOURCE D'ALIMENTATION EN CARBURANT OU D'ÉLECTRICITÉ.

RETIRER LE COUVERCLE DE PROTECTION

1. Retirer le fond de la base en bas du chauffage.
2. Retirer la protection du ventilateur.

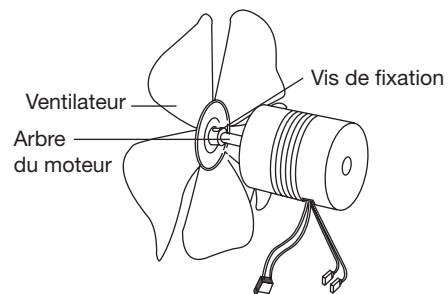


VENTILATEUR

Important: Enlever toujours le ventilateur de l'arbre du moteur avant d'enlever l'assemblage du moteur du chauffage. Ceci évitera d'endommager le ventilateur.

1. Retirer la vis de fixation du ventilateur en utilisant une clé Allen de 1/8 pouces.
2. Retirer le fond de la base.
3. Retirer la protection du ventilateur.
4. Retirer la base.
5. Débrancher les fils de sortie raccordés au moteur.
6. Retirer l'assemblage du moteur.

7. Nettoyer soigneusement les pales du ventilateur en faisant attention à ne pas les tordre à l'aide d'un linge doux légèrement mouillé avec du kérosène ou du solvant.
8. Sécher le ventilateur avec un chiffon propre.
9. Replacer le ventilateur comme illustré en s'assurant que la vis de fixation s'aligne avec la partie plate de l'arbre du moteur. Bien serrer la vis de fixation (tout en faisant attention de ne pas trop la serrer).



ENTRETIEN

10. Rebrancher les fils de sortie comme illustré sur le schéma des connexions.
11. Réassembler la base, la protection du ventilateur et le fond de la base.

ALLUMEUR

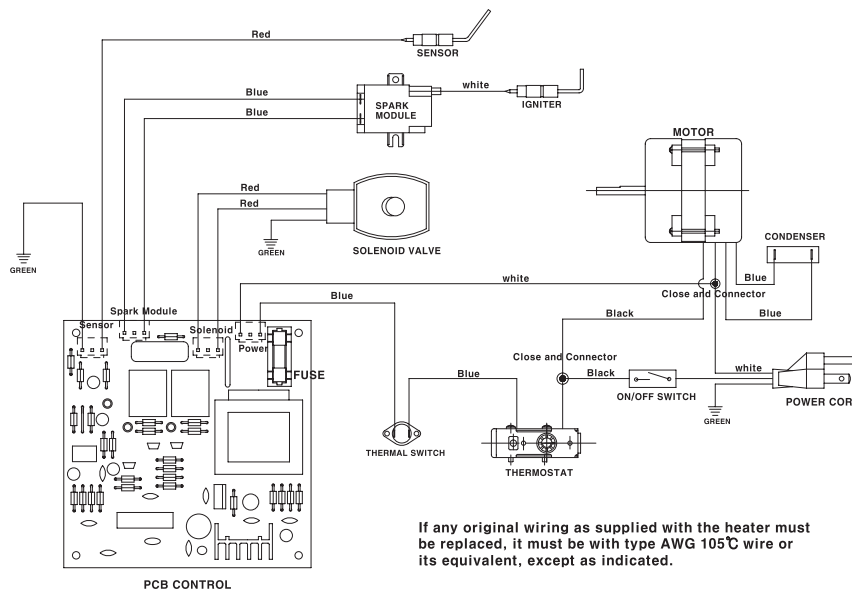
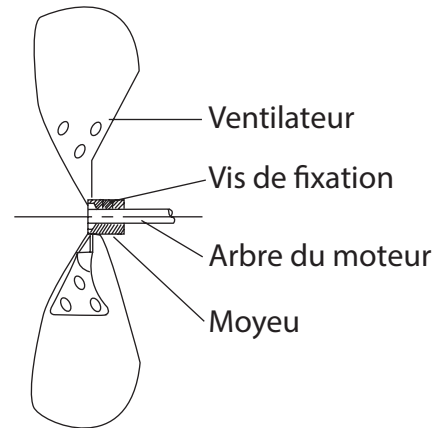
Le seul entretien nécessaire pour l'allumeur est de s'assurer que l'écartement entre les électrodes est maintenu entre 0.13" and 0.15" (3.3/3.8 mm). L'allumeur est accessible par la chambre de combustion.

ENTREPOSAGE

ATTENTION: TOUJOURS DEBRANCHER LE CHAUFFAGE DES RESERVOIRS DE PROPANE/GPL LORSQU'IL NE SERT PAS.

1. Toujours entreposer les bouteilles de propane à l'extérieur, mais pas dans un endroit clos. Ne jamais entreposer une bouteille à proximité d'une source de chaleur, sous les rayons directs du soleil ou près de flammes nues. Ne jamais entreposer la bouteille à l'intérieur. La bouteille doit toujours être entreposée à l'extérieur, en conformité avec le chapitre 5 du Standard for Storage and Handling of Liquefied Petroleum Gases (ANSI/INFPA 58) (Norme sur l'entreposage et la manipulation du GPL).
2. Placer des couvercles en plastique par-dessus les raccords d'alimentation du radiateur lorsqu'on l'entrepose pour la saison.
3. Entreposer le chauffage dans un endroit sec, propre et sûr. Ne pas entreposer l'assemblage du tuyau/détendeur dans la chambre de combustion du chauffage.
4. Vérifier toujours à l'intérieur du chauffage pour tout débris ou saletés laissés par des araignées ou des petits animaux avant son premier emploi après l'entreposage. S'assurer que l'intérieur de l'appareil de chauffage ne contient aucune substance combustible et aucun corps étranger.

AVERTISSEMENT: NE JAMAIS LAISSER L'APPAREIL DE CHAUFFAGE SANS SURVEILLANCE LORSQU'IL FONCTIONNE OU LORSQU'IL EST BRANCHÉ À UNE SOURCE D'ALIMENTATION EN CARBURANT OU D'ÉLECTRICITÉ.



DÉPANNAGE

SYMPTÔME

Le ventilateur ne tourne pas lorsque la connexion électrique est effectuée

CAUSE(S) POSSIBLE(S)

1. Pas d'alimentation électrique au radiateur
2. La pale du ventilateur entre en contact avec l'intérieur de l'enveloppe du radiateur
3. Pale(s) de ventilateur pliée(s)
4. Moteur du ventilateur défectueux

ACTION CORRECTIVE

1. Vérifier la tension vers la prise électrique. Si la tension est correcte, vérifier le cordon d'alimentation et la rallonge pour y détecter des coupures ou des brisures
2. S'assurer que le boîtier n'est pas endommagé. S'assurer qu'aucune obstruction n'entrave le ventilateur
3. Redresser la ou les lames pour qu'elles correspondent aux autres
4. Remplacer le moteur

Le radiateur ne peut être mis à feu

-
1. Aucune étincelle au niveau de l'allumeur
 2. Écart de bougie incorrect
 3. Électrode défectueuse

-
1. Vérifier le fil de l'allumeur. Réattacher ou serrer si desserré. Vérifier le module à étincelles. Remplacer au besoin. Vérifier tous les composants électriques
 2. Régler l'écart à 4,1 mm
 3. Remplacer la bougie d'allumage)

Le radiateur s'éteint pendant qu'il fonctionne

-
1. Température interne trop élevée, ce qui déclenche l'interrupteur et éteint l'appareil
 2. Robinet de commande endommagé
 3. Accumulation de poussière ou de débris à l'intérieur du radiateur

-
1. Si le débit du radiateur est restreint, la température interne devient trop élevée. Déplacer le radiateur pour l'éloigner de toute obstruction
 2. Remplacer le robinet de commande
 3. Nettoyer l'intérieur du radiateur



GARANTIE LIMITÉE

Mi-T-M garantit à l'acheteur au détail d'origine seulement que ce radiateur sera exempt de défauts de matière et de fabrication pendant une période d'un an à partir de la date de l'achat initial. Ce produit doit être installé, entretenu et utilisé correctement, en conformité avec les instructions fournies.

Mi-T-M exige une preuve raisonnable de la date d'achat chez un détaillant ou un distributeur autorisé. Il vous faut donc conserver votre preuve d'achat, facture ou chèque annulé pour l'achat d'origine. Cette garantie limitée couvre uniquement la réparation ou le remplacement des pièces jugées défectueuses dans des conditions d'utilisation et d'entretien normales pendant la période de garantie et Mi-T-M se réserve le droit de déterminer ceci à sa seule discrétion. Cette garantie ne couvre pas les pièces d'usure: filtres, ailettes, gicleurs et rotors.

Cette garantie limitée ne couvre pas toute défaillance ou difficulté d'utilisation résultant d'un usage normal, d'une usure normale, d'un accident, d'un abus, d'une mauvaise utilisation, d'une altération, d'un mauvais usage, d'une installation inadéquate ou encore d'une réparation ou d'un entretien inadéquats par vous ou par une quelconque tierce partie. Le fait de négliger d'effectuer l'entretien normal et de routine de ce radiateur, les dommages causés lors de l'expédition de l'expéditeur ou reliés à des insectes, des oiseaux ou des animaux ou encore à tout autre dommage résultant des conditions météorologiques ne sont pas couverts par cette garantie. En outre, cette garantie limitée ne couvre pas les dommages au fini, comme les égratignures, les encoches, la décoloration, la rouille ou d'autres dommages résultant des conditions météorologiques, et survenus après l'achat.

Tous les frais de transport pour le retour de produits ou de pièces endommagés doivent être défrayés par l'acheteur. Sur réception de l'article endommagé, Mi-T-M examinera l'article en question et déterminera s'il est défectueux. Mi-T-M réparera ou remplacera et retournera l'article frais de port payés. Si Mi-T-M détermine que l'article est dans un état d'utilisation normale, ou n'est pas défectueux, il sera retourné fret payable à l'arrivée. Cette garantie limitée remplace toute autre garantie explicite. Mi-T-M renonce à toute garantie de produits achetés de vendeurs autres que des détaillants ou distributeurs autorisés.

APRÈS UNE PÉRIODE D'UN (1) AN CETTE GARANTIE EXPRESSE EXPIRE, MI-T-M RENONCE À TOUTE GARANTIE IMPLICITE INCLUANT, MAIS SANS S'Y LIMITER, TOUTE GARANTIE IMPLICITE DE QUALITÉ MARCHANDE OU D'ADAPTATION À UN USAGE PARTICULIER. EN OUTRE, MI-T-M N'EST AUCUNEMENT RESPONSABLE ENVERS L'ACHETEUR OU ENVERS TOUTE TIERCE PARTIE POUR UN QUELCONQUE DOMMAGE INDIRECT, PUNITIF, CONNEXE OU FORTUIT. Mi-T-M n'assume aucune responsabilité pour un quelconque défaut causé par une tierce partie. Cette garantie limitée donne à l'acheteur des droits légaux spécifiques; un acheteur pourrait jouir d'autres droits selon de la juridiction où il réside. Certaines juridictions ne permettent pas l'exclusion ou la limitation des dommages spéciaux, indirects ou fortuits ou des limitations sur la durée d'une garantie; les limitations ci-dessus pourraient donc ne pas s'appliquer à votre cas.

Mi-T-M n'autorise aucune personne ou aucune entreprise à assumer pour elle une quelconque obligation ou responsabilité autre reliée à la vente, l'installation, l'utilisation, l'enlèvement, le retour ou le remplacement de ces équipements et aucune telle représentation ne lie en quelque manière Mi-T-M


Toujours s'assurer de spécifier le numéro de modèle et le numéro de série lors de toute demande à Mi-T-M

Pour service ou considération de garantie, contactez
Mi-T-M® Corporation, 50 Mi-T-M Drive, Peosta, IA 52068
563-556-7484 / 800-553-9053 / Fax 563-556-1235
du lundi au vendredi, de 8h00 à 17h00, CST (heure centrale)

TABLE OF CONTENTS

INTRODUCCION.	39
¡IMPORTANTE!	39
ADVERTENCIAS IMPORTANTES DE SEGURIDAD.	40
¡GUARDE ESTAS INSTRUCCIONES!	3
CARACTERÍSTICAS DEL PRODUCTO.	45
CARACTERÍSTICAS DEL PRODUCTO.	45
INFORMACION SOBRE EL PROPANO.	45
ESPECIFICACIONES.	45
INFORMACIÓN DE SEGURIDAD GENERAL.	46
IMPORTANTE INFORMACION SOBRE SEGURIDAD.	47
INSTALACIÓN.	49
VENTILACIÓN.	50
OPERACIÓN	50
PARA EMPEZAR EL CALENTADOR.	51
REQUISITO DEL TAMAÑO DE LA CUERDA DE LA EXTENSIÓN.	51
PARA CERRAR EL CALENTADOR.	51
PARA REEMPEZAR EL CALENTADOR	51
PROCEDIMIENTOS DE SERVICIO.	52
VENTILADOR.	52
MANTENIMIENTO.	52
IGNITOR.	53
ALMACENAMIENTO.	53
LOCALIZACION DE FALLAS.5	4
GARANTIA LIMITADA.	55

ADVERTENCIA

 **ADVERTENCIA:** Este producto puede exponerlo a productos químicos, incluido el plomo, que el Estado de California conoce a causar cáncer y defectos congénitos u otros daños reproductivos. Para obtener más información, visite www.P65Warnings.ca.gov

INTRODUCCION

¡Felicitaciones por la compra de su nueva compresor de aire eléctrico! Puede estar seguro que su compresor de aire eléctrico fue construida con el nivel más. Cada componente ha sido probado rigurosamente por técnicos para asegurar la calidad, la resistencia y el rendimiento de esta unidad.

Este manual del operador fue compilado para su beneficio. Leyendo y siguiendo los pasos simples de seguridad, instalación, operación, mantenimiento y localización de fallas descritos en este manual ayudará a prolongar aun más la operación libre de fallas que usted puede esperar de su compresor de aire eléctrico. El contenido de este manual está basado en la información actualizada disponible al momento de la publicación. Mi-T-M® se reserva el derecho de efectuar cambios en precio, color, materiales, equipo, especificaciones o modelos en cualquier momento sin previo aviso.

¡IMPORTANTE!

Estos párrafos están rodeados por una “CASILLA DE ALERTA DE SEGURIDAD”. Esta casilla se usa par designar y enfatizar las Advertencias de Seguridad que deben seguirse al operar esta lavadora a presión. Acompañando a las Advertencias de Seguridad están las “palabras de alerta” que designan el grado o nivel de seriedad de riesgo. Las “palabras de alerta” usadas en este manual son las siguientes:

PELIGRO: Indica una situación inminente riesgosa la cual, si no se evita, RESULTARA en la muerte o en lesiones graves.

ADVERTENCIA: Indica una situación potencialmente riesgosa la cual, si no se evita, PODRIA resultar en la muerte o en lesiones graves.

PRECAUCION: Indica una situación potencialmente riesgosa la cual, si no se evita PUEDE resultar en lesiones menores o moderadas.



El símbolo indicado a la izquierda de este párrafo es el “Símbolo de Alerta de Seguridad”. Este símbolo se usa para alertarlo acerca de artículos o procedimientos que podrían ser peligrosos para usted u otras personas usando este equipo.

PROVEA SIEMPRE UNA COPIA DE ESTE MANUAL A CUALQUIER PERSONA QUE USE ESTE EQUIPO. LEA TODAS LAS INSTRUCCIONES ANTES DE OPERAR ESTA LAVADORA A PRESION, OBSERVANDO EN PARTICULAR LAS “ADVERTENCIAS DE SEGURIDAD” PARA EVITAR LA POSIBILIDAD DE LESIONES PERSONALES AL OPERADOR.

Escriba el número de serie de su unidad en el espacio provisto abajo, una vez que la unidad haya sido desempacada.

NUMERO DE SERIE _____



Inspeccione por daño el contenido de la caja. Si algo parece dañado, NO LA DEVUELVA AL LUGAR DE COMPRA. Llame a su representante de servicio al cliente de al 800-553-9053.

Por favor tenga disponible la información siguiente para todas las llamadas de servicio:



1. Número de modelo
2. Número de serie
3. Fecha y lugar de compra

Mi-T-M® Corporation
50 Mi-T-M Drive
Peosta, IA 52068-0050

ADVERTENCIAS IMPORTANTES DE SEGURIDAD

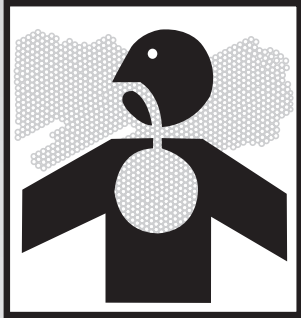
Hazard	Potential Consequence	Prevention
<p>RIESGO DE DESCARGAS ELÉCTRICAS O ELECTROCUCIÓN</p> 	<p>Una incorrecta conexión a tierra del compresor de aire puede causar lesiones graves o incluso la muerte. Su compresor de aire es alimentado por corriente eléctrica que puede causar descargas eléctricas o electrocución, si no se usa correctamente.</p> <p>Las descargas eléctricas pueden ocurrir si no se usa correctamente el compresor de aire.</p> <p>Reparaciones de partes eléctricas realizadas por personal incapacitado puede causar lesiones graves o incluso la muerte.</p>	<p>La instalación de esta unidad, incluyendo todas las conexiones eléctricas, debe conformarse con todo el local, estado y códigos nacionales.</p> <p>Este producto debe ser puesto a tierra. Conecte con un interruptor de GFCI cuando esta' disponible. Si funciona incorrectamente la unidad o interrupción, el poner a tierra proporciona una trayectoria de menos resistencia para la corriente eléctrica para reducir el riesgo de la descarga eléctrica. No mueva a una línea de fuente de gas.</p> <p>La conexión incorrecta del conductor equipo-que pone a tierra puede dar lugar a un riesgo del electrocution. Compruebe con un electricista o un personal de servicio cualificado si usted es en duda si el sistema está puesto a tierra correctamente.</p> <p>Esté siempre seguro que la unidad está recibiendo voltaje apropiado Antes de instalar conexiones eléctricas, esté seguro que los interruptores están en la posición de "off".</p> <p>Mantenga todas las conexiones secas y de la tierra.</p> <p>No usar sin las protecciones de seguridad/coberturas o si éstas están dañadas.</p> <p>Cualquier operación de cableado o reparación eléctrica en debe ser realizado por personal autorizado, conforme a las normas eléctricas locales y nacionales.</p>
<p>RIESGO DE QUEMADURAS</p> 	<p>La herida grave podría ocurrir de tocar partes metálicas expuestas. Estas áreas pueden quedarse caliente durante un tiempo después de que la calentadora sea apagada.</p>	<p>Asegurarse que ninguna parte del cuerpo o de otros materiales entre en contacto con las partes metálicas expuestas del compresor de aire.</p>

ADVERTENCIAS IMPORTANTES DE SEGURIDAD


Hazard	Potential Consequence	Prevention
<p>RIESGO DE EXPLOSIÓN O DE INCENDIO</p> <div style="text-align: center;">   </div>	<p>Normales chispas eléctricas del motor y del interruptor de presión pueden causar lesiones graves e incluso la muerte.</p> <p>La herida grave puede ocurrir la entrada o salida del aire de la calentadora son bloqueadas.</p> <p>La herida o la muerte graves pueden ocurrir si combustibles impropios son utilizados, si calentadora esta operando al rellenar.</p> <p>SIEMPRE mantenga la calentadora en una superficie de estable y nivel. SIEMPRE mantenga a niños y animales lejos de calentadora.</p>	<p>Siempre opere calentadora en un área bien ventilada libre de vapores inflamables, polvo combustible, los gases u otras materias combustibles.</p> <p>Nunca ponga los objetos enfrente de entrada del aire (trasero) ni salida de aire (frente) de calentadora. Nunca utilice el trabajo de conducto en la frente ni en trasero de calentadora. Mantenga toda materia combustible lejos de esta calentadora.</p> <p>Nunca use combustibles como gasolina, el benceno, diluyentes de pintura, ni otro petróleo componen en esta calentadora. Esta calentadora está MUY CALIENTE mientras en la operación.</p> <p>Nunca transporte calentadora con combustible en su tanque.</p> <p>El almacenamiento del combustible del bulto debe ser un mínimo de 25 Pies de calentadoras, de las antorchas, de generadores portátiles, o de otras fuentes de ignición. Todo almacenamiento del combustible debe ser de acuerdo con federal, el estado, o las administración local que tienen jurisdicción.</p> <p>Nunca almacene un cilindro del LP dentro de un edificio o en la vecindad de cualquier aplicación de gas.</p> <p>Nunca muévase ni maneja la calentadora mientras todavía caliente o mientras conectada a una fuente eléctrica..</p> <p>Si equipado con un termostato, la calentadora puede comenzar en tiempo.</p> <p>SIEMPRE mantenga la calentadora en una superficie de estable y nivel. SIEMPRE mantenga a niños y animales lejos de calentadora.</p>

⚠ ADVERTENCIA: NUNCA DEJE DESATENDIDA LA CALENTADORA MIENTRAS ESTE ENCENDIDO O ESTE CONECTADA A UNA FUENTE ELÉCTRICO/ DE ALIMENTACIÓN, O CUANDO ESTE CONECTADA A UNA FUENTE DE COMBUSTIBLE.

ADVERTENCIAS IMPORTANTES DE SEGURIDAD


Hazard	Potential Consequence	Prevention
<p style="text-align: center;">RIESGOS A LA RESPIRACIÓN</p> <div style="text-align: center;">  </div>	<p>La herida o la muerte graves podrían ocurrir del fracaso para tener ventilación apropiada según este manual.</p>	<p>Esta es una calentadora del aire forcido que use queroseno y directo-despidió. El uso principal es para la calefacción temporaria de edificios en construcción, la modificación o la reparación. Los medios de directo-despidió que todos los productos de combustión de la calentadora entran el espacio calentado. Este aparato es valorado en 98% de eficiencia de combustión, pero produce cantidades pequeñas de monóxido de carbono. El monóxido de carbono es tóxico. Los humanos pueden tolerar cantidades pequeñas de monóxido de carbono, y las precauciones deben ser tomadas para proporcionar ventilación apropiada. El fracaso para proporcionar ventilación apropiada según este manual puede tener como resultado la muerte.</p> <p>Si no se suministra la adecuada ventilación indicada en este manual, se puede ocasionar la muerte. Las primeras etapas de intoxicación por monóxido de carbono producen síntomas similares a los de la gripe. Los síntomas que puede sufrir si la ventilación no es la adecuada son: * dolor de cabeza * mareo * irritación de la nariz y los ojos * náusea * boca seca * irritación de la garganta</p> <p>La abertura debe tener al menos 0.28 m² por cada 100,000 Btu de capacidad máxima.</p> <p>Las personas con problemas de respirar deben consultar a un médico antes de utilizar la calentadora. El Envenenamiento del Monóxido de carbono: Los signos tempranos de envenenamiento de monóxido de carbono se parecen a síntomas que son similares al gripe como dolores de cabeza, al mareo, y/o a la náusea. Si usted tiene estos síntomas, su calentadora no puede estar trabajando apropiadamente.</p> <p>¡Consiga aire fresco inmediatamente! La calentadora necesita atención pronto. Algunas personas son afectadas mas por monóxido de carbono que otros. Estos incluyen a mujeres embarazadas, éstos con problemas del corazón o problemas pulmonares, con la anemia, o con éstos ebrio, o a grandes altitudes. Nunca utilice esta calentadora en áreas de viviendo ni áreas durmientes.</p>


ADVERTENCIAS IMPORTANTES DE SEGURIDAD

 PELIGRO DE INCENDIO, QUEMADURA, INHALACIÓN Y EXPLOSIÓN. MANTENGA LOS COMBUSTIBLES SÓLIDOS COMO, POR EJEMPLO, MATERIALES DE CONSTRUCCIÓN, PAPEL Y CARTÓN, A UNA DISTANCIA PRUDENCIAL DEL CALENTADOR SEGÚN LO RECOMIENDAN LAS INSTRUCCIONES. NUNCA USE EL CALENTADOR EN ESPACIOS QUE CONTENGAN O PUEDAN CONTENER COMBUSTIBLES VOLÁTILES O EN SUSPENSIÓN EN EL AIRE NI PRODUCTOS COMO, POR EJEMPLO, GASOLINA, DISOLVENTES, SOLVENTES DE PINTURA, PARTÍCULAS DE POLVO O QUÍMICOS DESCONOCIDOS.

 SI NO SE OBSERVA EXACTAMENTE LA INFORMACIÓN CONTENIDA EN ESTE MANUAL, PUEDE PRODUCIRSE UN INCENDIO O UNA EXPLOSIÓN QUE, A SU VEZ, PUEDE OCASIONAR DAÑOS MATERIALES, LESIONES PERSONALES O PÉRDIDA DE VIDAS.

- NO GUARDE NI UTILICE GASOLINA U OTROS GASES Y LÍQUIDOS INFLAMABLES CERCA DE ESTE O CUALQUIER OTRO ARTEFACTO.
- NO DEBE GUARDARSE CILINDROS DE PL DESCONECTADOS CERCA DE ESTE O CUALQUIER OTRO ARTEFACTO.
- QUÉ HACER SI HAY OLOR A GAS:
- NO TRATE DE ENCENDER EL CALENTADOR
- APAGUE TODA CLASE DE LLAMA VIVA
- CIERRE EL SUMINISTRO DE GAS DEL CALENTADOR
- SI CONTINÚA EL OLOR, PÓNGASE EN CONTACTO CON LA EMPRESA DE GAS O EL CUERPO DE BOMBEROS DE SU LOCALIDAD
- NO TOQUE NINGÚN INTERRUPTOR ELÉCTRICO NI UTILICE NINGÚN TELÉFONO DE LA EDIFICACIÓN EN QUE SE ENCUENTRE
- LLAME INMEDIATAMENTE A LA EMPRESA DE GAS DESDE EL TELÉFONO DE UN VECINO. SIGA LAS INSTRUCCIONES DE LA EMPRESA DE GAS
- SI NO PUEDE COMUNICARSE CON LA EMPRESA DE GAS, LLAME AL CUERPO DE BOMBEROS
- SÓLO TÉCNICOS CUALIFICADOS O LA EMPRESA DE GAS PUEDEN HACER LA REPARACIÓN..

 EL ESTADO DE CALIFORNIA EXIGE QUE SE HAGA LA SIGUIENTE ADVERTENCIA (PROPOSICIÓN 65): LOS PRODUCTOS DERIVADOS DE LA COMBUSTIÓN QUE PRODUCE ESTE PRODUCTO CONTIENEN MONÓXIDO DE CARBONO, UN COMPUESTO QUÍMICO QUE EL ESTADO DE CALIFORNIA RECONOCE COMO CAUSANTE DE CÁNCER Y MALFORMACIONES CONGÉNITAS (Y OTROS DAÑOS DEL SISTEMA REPRODUCTOR).

 NO USE ESTE CALENTADOR HASTA QUE HAYA LEÍDO Y ENTENDIDO TOTALMENTE ESTAS INSTRUCCIONES DE SEGURIDAD Y OPERACIÓN. SI NO SE CUMPLE CON LAS PRECAUCIONES E INSTRUCCIONES SUMINISTRADAS CON ESTE CALENTADOR, SE PUEDE SUFRIR LA MUERTE, LESIONES CORPORALES Y PÉRDIDAS MATERIALES COMO CONSECUENCIA DE INCENDIO, EXPLOSIÓN, QUEMADURA, ASFIXIA E INTOXICACIÓN POR MONÓXIDO DE CARBONO. SÓLO LAS PERSONAS QUE PUEDAN LEER Y ENTENDER ESTAS INSTRUCCIONES PUEDEN UTILIZAR O DARLE SERVICIO A ESTE CALENTADOR.

 ¡GUARDE ESTAS INSTRUCCIONES! 

ADVERTENCIA

LAS PAGINAS SIGUIENTES CONTIENEN INSTRUCCIONES DE OPERACION Y MANTENIMIENTO

NO TRATE DE OPERAR ESTA LAVADORA A PRESION HASTA QUE HAYA LEIDO Y ENTENDIDO TODAS LAS PRECAUCIONES E INSTRUCCIONES DE SEGURIDAD LISTADAS EN ESTE MANUAL.

¡¡LA OPERACION INCORRECTA DE ESTA UNIDAD PUEDE CAUSAR LESIONES GRAVES!!

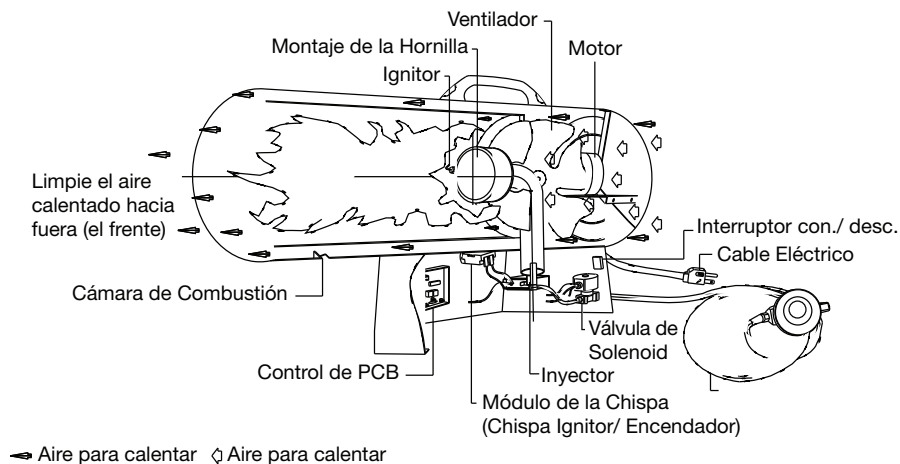
¡¡DE NINGUNA MANERA ALTERE O MODIFIQUE ESTE EQUIPO!!

NUNCA DEJE DESATENDIDO EL CALENTADOR MIENTRAS ESTE ESTE ENCENDIDO O ESTE CONECTADO A UNA FUENTE DE ALIMENTACION.

ADVERTENCIA: NUNCA DEJE DESATENDIDA LA CALENTADORA MIENTRAS ESTE ENCENDIDO O ESTE CONECTADA A UNA FUENTE ELECTRICO/ DE ALIMENTACIÓN, O CUANDO ESTE CONECTADA A UNA FUENTE DE COMBUSTIBLE.

CARACTERÍSTICAS DEL PRODUCTO

Model shown MH-0375-LM10



CARACTERÍSTICAS DEL PRODUCTO

- Portátil, estable y totalmente armado.
- Resistente al viento y protegido contra la lluvia.
- Ignición de chispa continua o ignición de chispa piezoeléctrica.
- Sistema de apagado 100% seguro.
- Capacidades de entrada ajustables

INFORMACION SOBRE EL PROPANO

El tanque de gas propano (LP) también deberá estar equipado con lo siguiente:

- Un collar para proteger la válvula de gas.
- Una válvula de cierre conectada en la salida de la válvula del cilindro o tanque de gas propano según la especificación de la
- Norma Nacional Americana para la conexión de entradas y salidas de válvulas de cilindros de gas comprimido.
- Una válvula de alivio de seguridad con comunicación directa con el espacio de vapor del tanque.
- Una forma para retirar o sacar el vapor.

ESPECIFICACIONES

Modelo	MH-0375-LM10
Capacidad de entrada	225,000-375,000
Consumo de gas	10,4 to 17,4
Entrada Eléctrica	120V, 60 Hz
Presión del múltiple	48,26 kPa-124,10 kPa
Motor	1/5 HP 1,660 RPM
Tamaño L x A x Al (cm)	86 cm x 32 cm x 46,99 cm
Peso Kg(Lb)	18,59 kg

INFORMACIÓN DE SEGURIDAD GENERAL

⚠️ ADVERTENCIA: EL USO IMPROPIO DE ESTA CALENTADORA PUEDE RESULTAR CON HERIDA O MUERTE GRAVES DE QUEMADURAS, EL FUEGO, LA EXPLOSION, GOLPE ELECTRICO Y/O ENVENENAMIENTO DE MONOXIDO DE CARBONO.

Este calentador está diseñado y aprobado para uso en construcciones de acuerdo con la norma ANSI Z83.7 * CSA 2.14-2017 para calentadores para construcción a gas. CONSULTE CON LAS AUTORIDADES DE PREVENCIÓN DE INCENDIOS DE SU LOCALIDAD SI TIENE ALGUNA DUDA SOBRE EL USO DE ESTE CALENTADOR. Otras normas rigen el uso de gases combustibles y productos de calefacción para usos específicos. Sus autoridades locales pueden asesorarle sobre esas normas.

⚠️ ADVERTENCIA: NO ES PARA USO CON SISTEMA DE VENTILACIÓN DE ESCAPE.

⚠️ ADVERTENCIA: NO ES PARA EL USO EN CASA NI EL USO DE CARAVANA PEQUEÑA. LA ASAMBLEA DE LA MANGA SERA PROTEGIDA DEL TRAFICO, EL MATERIAL DE CONSTRUCCION Y CONTACTO CON SUPERFICIES CALIENTES DURANTE USO Y MIENTRAS EN EL ALMACENAMIENTO.

Lea detenida y completamente este Manual del usuario antes de intentar usar o darle mantenimiento a este calentador. El uso inadecuado del calentador puede ocasionar lesiones graves o la muerte debido a incendio, explosión o envenenamiento por monóxido de carbono.

Toda posible circunstancia que podría implicar un peligro no puede ser anticipada. Las advertencias que aparecen en este manual y en la unidad no cubren por tanto todo. Si se utiliza un procedimiento, método de trabajo o técnica de operación no específicamente recomendado por Pinnacle, usted deberá asegurarse que es seguro para usted y para otros. También deberá asegurarse que no se dañará el equipo ni se hará éste inseguro por el método de operación o mantenimiento que usted elija. CONSULTE CON LAS AUTORIDADES DE SEGURIDAD DE INCENDIOS DE SU LOCALIDAD SI TIENE ALGUNA DUDA SOBRE EL USO DE ESTE CALENTADOR. Este calentador ha sido diseñado y aprobado para uso como un calentador para uso en tareas de construcción bajo ANSI Z83.7a/CSA2.14a-2007.

Otras normas rigen el uso de gases combustibles y materiales productores de calor en aplicaciones específicas. Sus autoridades locales pueden asesorarle sobre esas normas.

Usted debe suministrar el gas y los cilindros de propano. Utilice este calentador sólo con sistemas de suministro de propano con dispositivo de recuperación de vapores. Consulte el capítulo 5 de la norma para el almacenamiento y la manipulación de gas licuado de petróleo, ANSI/NFPA 58. La biblioteca o el cuerpo de bomberos de su localidad deben tener este folleto.

⚠️ ADVERTENCIA RIESGO PARA LA CALIDAD DEL AIRE

- No use este calentador para calentar las habitaciones de seres humanos.
- El uso de calentadores de fuego directo en áreas de construcción puede dar lugar a la exposición a niveles de CO, CO₂ y NO₂ considerados peligrosos para la salud y potencialmente mortales.
- No lo use en zonas no ventiladas
- Conozca los signos del envenenamiento por CO y CO₂
- Dolor de cabeza, ardor de ojos
- Mareo, desorientación
- Dificultad para respirar, sensación de sofocación
- Debe haber un intercambio adecuado del aire de ventilación (OSHA 29 CFR 1926.57) para mantener la combustión y una calidad de aire aceptable de acuerdo con la norma OSHA 29 CFR Parte 1926.154, los requisitos de seguridad para dispositivos y equipos portátiles de calefacción temporal que se utilizan en la industria de la construcción ANSI A10.10 y los reglamentos de instalación de gas natural y propano CSA B149.1.
- Monitoree periódicamente los niveles de CO, CO₂ y NO₂ existentes en la obra de construcción, como mínimo al inicio del turno y después de 4 horas.
- Suministre un intercambio de aire de ventilación, ya sea natural o mecánico, según sea necesario para mantener una calidad aceptable del aire en el interior.

⚠️ ADVERTENCIA: NUNCA DEJE DESATENDIDA LA CALENTADORA MIENTRAS ESTE ENCENDIDO O ESTE CONECTADA A UNA FUENTE ELÉCTRICO/ DE ALIMENTACIÓN, O CUANDO ESTE CONECTADA A UNA FUENTE DE COMBUSTIBLE.

INFORMACIÓN DE SEGURIDAD GENERAL

- Asegúrese de que el flujo de combustión y el intercambio del aire de ventilación no puedan quedar obstruidos.
- Es posible que sea necesario aumentar la ventilación mientras el edificio se “endurece” durante la fase de construcción.

EE.UU. - Promedio de tiempo ponderado de 8 horas (OSHA 29 CFR 1926.55 Ap. A)

CO	50 ppm
CO ₂	5000 ppm
NO ₂	

EE.UU. - Límite superior (límite de exposición a corto plazo = 15 minutos)

CO	
CO ₂	
NO ₂	5 ppm

Canadá - Promedio de tiempo ponderado de 8 horas (Directrices de seguridad laboral BC de la OHS, Parte 5.1, y Reg. 833 para entornos laborales de Ontario)

CO	25 ppm
CO ₂	5000 ppm
NO ₂	3 ppm (Reg 833)

Canadá - Límite de exposición a corto plazo (STEL) (15 minutos Reg 833/1 hora WSBC) Directrices de seguridad laboral BC de la OHS, Parte 5.1, y Reg. 833 para entornos laborales de Ontario

CO	100 ppm
CO ₂	15,000 ppm (WSCB) 30,000 ppm (Reg 833)
NO ₂	1.0 ppm (WorkSafeBC) 5.0 ppm (Reg 833)

La instalación de este aparato en altitudes mayores de 2000 pies (610 m) debe cumplir con los reglamentos locales o, de no existir reglamentos locales, con el Reglamento nacional de gas combustible ANSI Z223.1/NFPA 54 o la norma nacional de Canadá, reglamento de instalación de gas natural y propano, CSA B149.1.

IMPORTANTE INFORMACION SOBRE SEGURIDAD

1. Los niños deben mantenerse lejos.
2. Siempre mantenga las distancias de separación adecuadas de los materiales combustibles. Las distancias de separación mínimas deberán ser:
Lados – 61 cm, Parte superior – 91.4 cm; Frente – 183 cm.
3. El calentador debe colocarse en una base sólida y nivelada.
4. Nunca ponga nada en el calentador, incluyendo vestimentas u otros artículos inflamables.
5. No modifique el calentador ni utilice un calentador que haya sido modificado.
6. Será necesario mantener una separación adecuada para el acceso, la combustión y la ventilación (suministro de aire) en todo momento cuando el calentador está funcionando.
8. Todo trabajo de mantenimiento y reparación deberá ser realizado por un técnico de servicio calificado. El calentador deberá ser inspeccionado antes de cada uso y al menos anualmente por una persona calificada. Es posible que se requiera una limpieza más frecuente según sea necesario. No repare ni le dé mantenimiento al calentador mientras está caliente o funcionando.
9. Nunca conecte el calentador en una fuente de gas no regulada.



ADVERTENCIA: NUNCA DEJE DESATENDIDA LA CALENTADORA MIENTRAS ESTE ENCENDIDO O ESTE CONECTADA A UNA FUENTE ELÉCTRICO/ DE ALIMENTACIÓN, O CUANDO ESTE CONECTADA A UNA FUENTE DE COMBUSTIBLE.

INFORMACIÓN DE SEGURIDAD GENERAL

10. Utilice el cable eléctrico solamente especificado. Las instrucciones del eléctrico poner a tierra--Esta aplicación se equipa de un enchufe de tres dientes (el poner a tierra) para su protección contra peligro de choque y se debe enchufar directamente en un receptáculo correctamente puesto a tierra del tres-diente.
11. Para prevenir lesiones y heridos, use siempre los guantes al manejar el calentador. Nunca maneje un funcionamiento o un calentador caliente porque las quemaduras severas pueden resultar.
12. La instalación de su calentador deberá cumplir con todos los códigos locales y/o requisitos de la compañía de servicio de gas, o a falta de códigos locales, con el Código Nacional de Combustibles ANSI Z223.1.
13. Este calentador se envía de la fábrica para uso con gas LP (propano) únicamente. No lo convierta a ningún otro gas. La instalación deberá conformar con los códigos locales, o a falta de ellos, con la norma para el almacenamiento y la manipulación de gases de petróleo licuado ANSI/NFPA 58
14. Utilice únicamente el conjunto de regulador y manguera suministrado con este calentador. Inspeccione el conjunto del regulador y manguera antes de cada uso del calentador. Si está demasiado desgastado, o si la manguera está cortada, reemplace el conjunto con el conjunto correcto mostrado en la lista de partes, antes de usar el calentador.
15. Las conexiones de suministro de gas deben revisarse usando una solución de 50/50 de agua y jabón. Nunca use una llama para verificar la presencia de fugas de gas.
16. Sitúe el cilindro de propano al menos a 1.8 metros del calentador, y no oriente la descarga del calentador hacia el cilindro de gas a menos que éste se encuentre a una distancia de 6 metros del calentador.
17. La conexión eléctrica y a tierra deberán cumplir con el Código Eléctrico Nacional (NEC), ANSI/NFPA 70. Utilice únicamente un receptáculo para tres (3) clavijas debidamente conectado a tierra.
18. No obstruya las áreas de entrada y salida de aire del calentador.
19. Cuando está utilizado con el termostato opcional, el calentador pueda empezar a cualquier momento.
20. No utilice el calentador al aire libre o en viviendas o lugares ocupadas.
21. No ajuste el regulador debajo de 7 PSIG o sobre 18 PSIG.
22. Utilice solamente las piezas de recambio originales. Este calentador debe utilizar piezas diseñar-específicas. No substituya ni utilice las piezas genéricas. Las piezas de recambio incorrectas podían causar lesiones serias o fatales.
23. No modifique el calentador. Guarde el calentador en su estado original.
24. No utilice el calentador si está modificado.
25. Guarde los tanques de propano debajo del 100°F
26. Apague la fuente de gas en el cilindro cuando no está utilizando la calentadora



ADVERTENCIA: NUNCA DEJE DESATENDIDA LA CALENTADORA MIENTRAS ESTE ENCENDIDO O ESTE CONECTADA A UNA FUENTE ELÉCTRICO/ DE ALIMENTACIÓN, O CUANDO ESTE CONECTADA A UNA FUENTE DE COMBUSTIBLE.

INSTALACIÓN

⚠️ ADVERTENCIA: REPASE Y ENTIENDA TODAS LAS ADVERTENCIAS EN LA SECCIÓN DE LA INFORMACIÓN DE SEGURIDAD. SE REQUIEREN PARA FUNCIONAR ESTE CALENTADOR CON SEGURIDAD. SIGA A TODO LOS CÓDIGOS LOCALES Y DEL ESTADO AL FUNCIONAR ESTE CALENTADOR.

⚠️ ADVERTENCIA: DESPUES DE INSTALAR TODA LA TUBERÍA DE GAS, Y HACER LAS CONEXIONES APROPRIADAS, ESTÉ SEGURO COMPROBAR PARA SABER SI HAY ESCAPES. APLIQUE UNA MEZCLA DE 50/50 DEL JABÓN Y DEL AGUA DEL PLATO A TODAS LAS CONEXIONES. LA FORMACIÓN DE BURBUJAS INDICAN QUE HAY UN ESCAPE. ESTÉ SEGURO A REPARAR TODOS LOS ESCAPES AL MISMO TIEMPO.

1. Proporcione el sistema de fuente del propano como delineado arriba.
2. Conecte la guarnición POL de la manguera/el montaje del regulador a los tanques del propano dándole vuelta a la guarnición A LA IZQUIERDA en los hilos de rosca en la válvula encima del tanque. Acabe apretando firmemente, usando 7/8 " llave.

Importante: Para proteger el regulador contra daño del tiempo, apriete la guarnición con la perilla negra del ajuste señalando abajo.

3. Conecte el extremo femenino de la manguera con el conector de la entrada del calentador, y apriete firmemente con una llave.

Importante: Utilice la tubería o manguera adicional en caso de necesidad para conectar el calentador con la fuente de gas, pero utilice siempre el regulador proveído con el calentador.

4. Abra LENTAMENTE la válvula de la fuente del tanque de propano.

Nota: Si esta válvula no se abre lentamente, exceso del tanque del flujo interrumpirá el flujo del gas. Si sucede esto, cierre la válvula de la fuente y abra de nuevo lentamente.

5. Ajuste el regulador entre 7 y 18 PSIG.

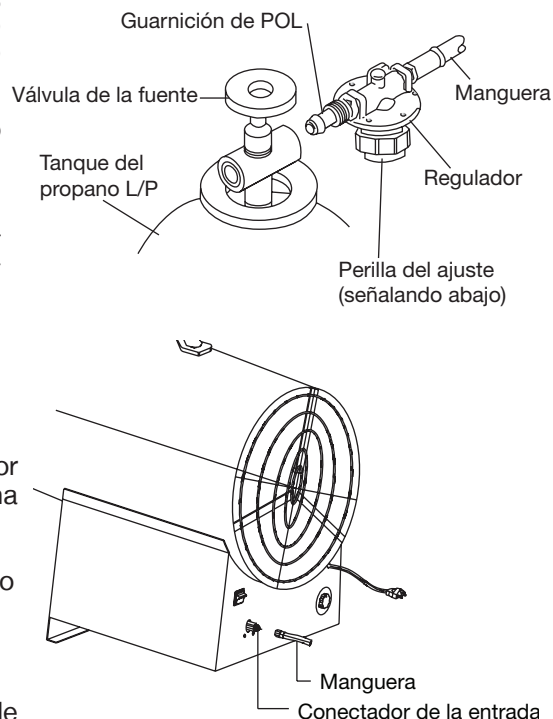
⚠️ ADVERTENCIA: NO AJUSTE EL REGULADOR SOBRE 18 PSIG O DEBAJO DE 7 PSIG, O EL CALENTADOR PUEDE NO FUNCIONAR CORRECTAMENTE.

6. Compruebe todas las conexiones para saber si hay escapes.

⚠️ ADVERTENCIA: NUNCA UTILICE UNA LLAMA ABIERTA A COMPROBAR PARA ESCAPES. APLIQUE UNA SOLUCIÓN DE 50/50 DEL JABÓN Y DEL AGUA LÍQUIDOS DEL PLATO PARA COMPROBAR TODAS LAS CONEXIONES. CORRIJA TODOS LOS ESCAPES INMEDIATAMENTE.

7. Cierre la válvula de la fuente del propano.

⚠️ ADVERTENCIA: NUNCA DEJE DESATENDIDA LA CALENTADORA MIENTRAS ESTE ENCENDIDO O ESTE CONECTADA A UNA FUENTE ELÉCTRICO/ DE ALIMENTACIÓN, O CUANDO ESTE CONECTADA A UNA FUENTE DE COMBUSTIBLE.



OPERACIÓN

VENTILACIÓN

⚠️ ADVERTENCIA: SIGA SIEMPRE LOS REQUISITOS MÍNIMOS DE LA VENTILACIÓN DEL AIRE FRESCO. SI ESTAS PAUTAS NO SE SIGUEN, EL ENVENENAMIENTO DE MONÓXIDO DE CARBONO PUEDE OCURRIR. PROPORCIONE SIEMPRE LAS CANTIDADES APROPIADAS DE AIRE FRESCO ANTES DE FUNCIONAR ESTE CALENTADOR.

Proporcione por lo menos tres pies cuadrados de aire fresco de cada 100.000 BTU/Hr del grado. Este calentador requiere una abertura del aire fresco de por lo menos 11.25 pies cuadrados. Proporcione el aire fresco adicional si se están utilizando más calentadores.

TEORÍA DE OPERACIÓN

El Sistema de Combustible: La montaje de manguera/ regulador funciona a la fuente del propano al calentador. Después de funcionar el gas por la manguera y regulador, pase por la válvula solenoid y afuera del inyector hasta alcance la cámara de combustión.

El Sistema del Aire: El motor interno vira al ventilador, que en turno empuja el aire alrededor y a través de la cámara de combustión. Aquí el aire se calienta y proporciona una corriente constante del calor.

Sistema de ignición: El módulo de la chispa envía voltaje al ignitor. El ignitor enciende la mezcla del combustible y del aire.

Sistema de control de seguridad: Este sistema cortará el calentador si se extingue la llama. El ventilador y el motor continuarán funcionando, pero no habrá ningún calor.

La Fuente del Propano: Este calentador debe ser utilizado solamente con un tanque que tenga un sistema del retiro del vapor. Refiera al Estándar del Almacenaje y de la Dirección del Gas Licuefecho del Petróleo, ANSI/NFPA 58, capítulo 5. Su cuerpo de bomberos o biblioteca local tendrá esta información.

Average Temp. (°F)	Number of Tanks
40°	3
32°	Use larger tank
20°	Use larger tank
10°	Use larger tank
0°	Use larger tank
-10°	Use larger tank
-20°	Use larger tank

Dos factores dictarán cuánto propano se utiliza de cada tanque:

1. La cantidad de gas en cada tanque.
2. Temperatura del aire circundante en cada tanque.

⚠️ ADVERTENCIA: NUNCA DEJE DESATENDIDA LA CALENTADORA MIENTRAS ESTE ENCENDIDO O ESTE CONECTADA A UNA FUENTE ELÉCTRICO/ DE ALIMENTACIÓN, O CUANDO ESTE CONECTADA A UNA FUENTE DE COMBUSTIBLE.

La carta abajo demuestra cuántos tanques se deben utilizar en una temperatura dada. Este calentador no se debe funcionar con un tanque más pequeño de 100 libras.

Mientras que la temperatura cae, se vaporiza menos gas, así que el tanque grande puede ser necesario en tiempo muy frío. Nunca funcione este calentador con un tanque más pequeño de 100 libras. Su distribuidor local del propano puede ayudarle a seleccionar el tamaño y la configuración apropiados del tanque.

OPERACIÓN

⚠️ ADVERTENCIA: REPASE Y ENTIENDA TODAS LAS ADVERTENCIAS EN LA SECCIÓN DE LA INFORMACIÓN DE SEGURIDAD EN ESTE MANUAL. SE REQUIEREN PARA FUNCIONAR ESTE CALENTADOR CON SEGURIDAD. SIGA A TODOS LOS CÓDIGOS LOCALES Y DEL ESTADO AL FUNCIONAR ESTE CALENTADOR.

PARA EMPEZAR EL CALENTADOR

1. Siga todas las instrucciones de seguridad, instalación y ventilación que están en éste manual.
2. Coloque el calentador en una superficie estable y llana, y esté seguro que ningunos corrientes de aire soplan en la entrada o el enchufe del calentador.
3. Plug the power cord of the heater into a three hold grounded extension cord. Be sure that the extension cord is at least 6 feet long, and is UL listed.

⚠️ NUNCA DEJE DESATENDIDO EL CALENTADOR MIENTRAS ESTE ESTE ENCENDIDO O ESTE CONECTADO A UNA FUENTE DE ALIMENTACION.

REQUISITO DEL TAMAÑO DE LA CUERDA DE LA EXTENSIÓN

- Hasta 50 pies de longitud, utilizan la cuerda clasificada 18 AWG.
 - 51 a 100 pies de longitud, utilizan la cuerda clasificada 16 AWG.
 - 101 a 200 pies de longitud, utilizan la cuerda clasificada 14 AWG.
4. Enchufe el cable eléctrico en un 120 volt/ 60 hertzio enchufe con tres agujeros que está puesta a la tierra.
 5. Abra LENTAMENTE la válvula de la fuente del tanque de propano.

Nota: Si esta válvula no se abre lentamente, exceso del tanque del flujo interrumpirá el flujo del gas. Si sucede esto, cierre la válvula de la fuente y abra de nuevo lentamente.

6. Ajuste el regulador entre 7 y 18 PSIG.

⚠️ ADVERTENCIA: NUNCA DEJE DESATENDIDA LA CALENTADORA MIENTRAS ESTE ENCENDIDO O ESTE CONECTADA A UNA FUENTE ELÉCTRICO/ DE ALIMENTACIÓN, O CUANDO ESTE CONECTADA A UNA FUENTE DE COMBUSTIBLE.

⚠️ ADVERTENCIA: NO AJUSTE EL REGULADOR SOBRE 18 PSIG O DEBAJO DE 7 PSIG, O EL CALENTADOR PUEDE NO FUNCIONAR CORRECTAMENTE.

7. Ponga el interruptor con./ desc/ a la posición de trabajo (con.). El calentador empezará dentro de veinte segundos.

Nota: Si el calentador no empieza después de este procedimiento, ponga el interruptor con./desc. a la posición de reposo (Desc.) y espere 10 segundos. Esto permitirá que el control de seguridad reajuste, y usted puede intentar a encender el calentador de nuevo.

PARA CERRAR EL CALENTADOR

1. Cierre firmamente la válvula de control del tanque de propano.
2. Permite algunos segundos para que el calentador consumirá el gas que fue dejado en la línea de fuente.
3. Ponga el interruptor con./desc. a la posición de reposo/ desconectado.
4. Desenchufe el cable eléctrico de la fuente de poder/propulsa.

PARA REEMPEZAR EL CALENTADOR

Nota: si el control de seguridad cierra el flujo de gas al calentador, el motor continuará funcionar. Para reempezar el calentador:

1. Ponga el interruptor con./desc. a la posición de reposo/ desconectado.
2. Espere diez segundos y entonces ponga el interruptor con./ desc. a la posición de trabajo/ con.

Si el calentador no reempieza:

- Compruebe todas las válvulas de control para asegurar que están abiertos.
- Compruebe la cantidad de combustible en los tanques de propano. Si la cantidad no está suficiente, sustituya el tanque con uno que está lleno.

Si el calentador todavía no funciona o reempieza, entre en contacto con su centro de servicio más cercano.

MANTENIMIENTO

⚠ ADVERTENCIA: NO PROCURE MANTENER EL CALENTADOR MIENTRAS QUE ESTÁ CALIENTE, ESTÁ FUNCIONANDO, O ESTÁ ENCHUFADO. LAS QUEMADURAS SEVERAS O EL CHOQUE ELÉCTRICO PUEDEN OCURRIR.

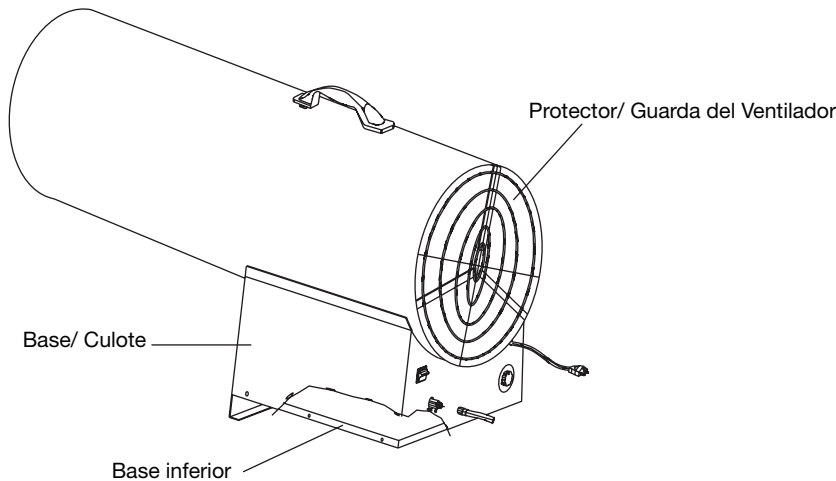
1. Siempre compruebe el calentador antes de utilizarlo. Compruebe para los escapes con el método que está descrito en este manual. Repare los escapes inmediatamente.
2. Limpie el calentador anualmente, o cuando es necesario para quitar cualquier polvo o ruina. Cuando el calentador llega a ser sucio, límpielo con un trapo húmedo.
3. Guarde el interior del calentador de objetos extranjeros y de combustibles.
4. Haga que el calentador sea examinado anualmente por una persona cualificada del servicio.
5. Keep inside of heater free of foreign objects and combustible materials.

PROCEDIMIENTOS DE SERVICIO

⚠ ADVERTENCIA: NO PROCURE MANTENER EL CALENTADOR MIENTRAS QUE ESTÁ CALIENTE, ESTÁ FUNCIONANDO, O ESTÁ ENCHUFADO. LAS QUEMADURAS SEVERAS O EL CHOQUE ELÉCTRICO PUEDEN OCURRIR.

⚠ ADVERTENCIA: NUNCA DEJE DESATENDIDA LA CALENTADORA MIENTRAS ESTE ENCENDIDO O ESTE CONECTADA A UNA FUENTE ELÉCTRICO/ DE ALIMENTACIÓN, O CUANDO ESTE CONECTADA A UNA FUENTE DE COMBUSTIBLE. QUITAR LA CUBIERTA/PORTADA PROTECTORA

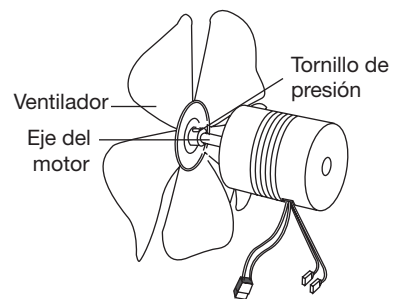
1. Quite la base inferior en el fondo del calentador.
2. Quite el protector del ventilador.



VENTILADOR

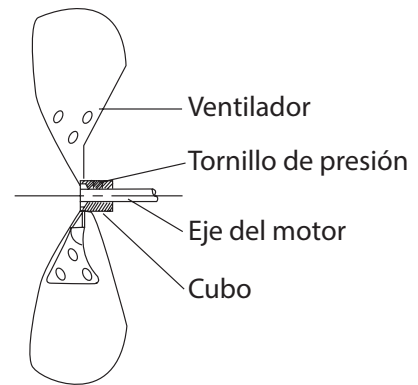
Importante: Siempre quite el ventilador del eje del motor antes de quitar el montaje de motor del calentador. Esto ayudará a prevenir daño al ventilador

1. Quite el tornillo de presión del ventilador usando un 1/8 " llave Allen.
2. Quite la base inferior.
3. Quite el protector del ventilador.
4. Quite la base.
5. Desconecte los alambres primacías unidos al motor.
6. Quite el montaje de motor.
7. Usando un trapo suave humedecido con keroseno o un disolvente limpiador, limpie cuidadosamente las aspas del ventilador sin doblarlas.
8. Seque el ventilador con trapo limpio.



MANTENIMIENTO

9. Cerciorándose de que el tornillo de presión se alinee con el punto plano en el eje del motor, substituya el ventilador como se muestra. Apriete el tornillo de presión firmemente (tenga cuidado de no apretar demasiado).
10. Reconecte los alambres primacias como demostración en diagrama eléctrico.
11. Remonte la base, el protector del ventilador y la base inferior.



IGNITOR

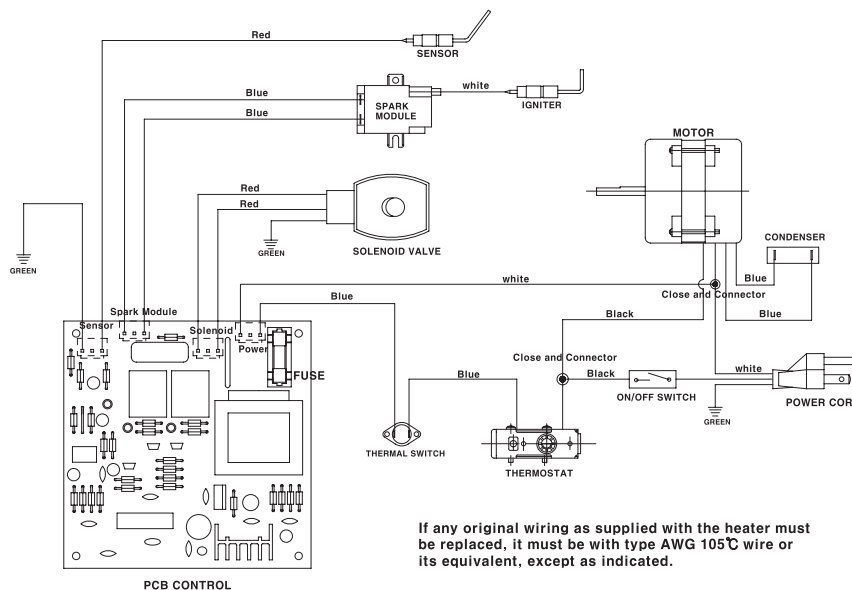
El único mantenimiento necesario para el ignitor es estar seguro que el boquete entre los electrodos está guardado en 0.14 ". El ignitor es accesible a través de la cámara de combustión.

ALMACENAMIENTO

PRECAUCIÓN: DESCONECTE SIEMPRE EL CALENTADOR DE LOS TANQUES DE PROPANO CUANDO NO UTILICE.

1. Guarde siempre el cilindro de propano afuera, pero no en un recinto cerrado. Nunca guarde el cilindro cerca de fuentes térmicas o llamas vivas ni donde reciba directamente la luz del sol. Nunca guarde el cilindro dentro de la edificación. El cilindro debe guardarse afuera de acuerdo con el capítulo 5 de la norma para el almacenamiento y la manipulación de gas licuado de petróleo (ANSI/INFPA 58).
2. Cuando vaya a guardar la unidad por el resto de la temporada, tape los conectores con las cubiertas de plástico que acompañaban al calentador.
3. Almacene el calentador en una localización segura, limpia y seca. No almacene la montaje de manguera/ regulador adentro de la cámara de combustión del calentador.
4. Al quitar el calentador de almacenaje, compruebe siempre dentro del calentador para objetos extrajeros dejados por las arañas o los animales pequeños. Mantenga el interior del calentador limpio de objetos extrajeros y de combustibles.

ADVERTENCIA: NUNCA DEJE DESATENDIDA LA CALENTADORA MIENTRAS ESTE ENCENDIDO O ESTE CONECTADA A UNA FUENTE ELÉCTRICO/ DE ALIMENTACIÓN, O CUANDO ESTE CONECTADA A UNA FUENTE DE COMBUSTIBLE.



LOCALIZACION DE FALLAS

SÍNTOMA

CAUSA(S) POSIBLE(S)

MEDIDA CORRECTIVA

El ventilador no gira cuando se le conecta la energía eléctrica

1. El calentador no recibe alimentación eléctrica.
2. El aspa del ventilador hace contacto con la parte interior del alojamiento del calentador
3. El aspa(s) del ventilador está doblada
4. El motor del ventilador está defectuoso

1. Verifique la corriente en el tomacorriente. Si el voltaje es correcto, inspeccione el cordón de alimentación para ver si está cortado o está roto
2. Asegúrese que el alojamiento no esté dañado. Asegúrese que el ventilador no esté obstruido
3. Enderece el aspa(s) para que quede como las otras
4. Reemplace el motor

El calentador no se enciende

1. No hay chispa en el encendedor
2. Separación de chispa incorrecta
3. Electrodo dañado

1. Inspeccione el conductor del encendedor. Reconéctelo o apriételo si está suelto. Revise el módulo de chispa. Reemplace según sea necesario. Revise todos los componentes eléctricos
2. Ajuste la separación a 4.1 mm (0.16 pulg.)
3. Reemplace la bujía

El calentador se apaga cuando está funcionando

1. La temperatura interior es demasiado alta y causa que el interruptor limitador apague la unidad
2. Válvula de control dañada
3. Hay polvo o restos de material acumulados dentro del calentador

1. Si se restringe la salida del calentador, la temperatura interior sube demasiado. Mueva el calentador lejos de toda obstrucción
2. Reemplace la válvula de control
3. Limpie el interior del calentador



GARANTIA LIMITADA

Garantía limitada de protemp. Por un año. Mi-T-M le garantiza al Usuario original que los modelos tratados en este manual de los calentadores de aceite portátiles Protemp® están libres de defectos en la mano de obra o el material, cuando se les somete a uso Normal, por un año a partir de la fecha de compra. Cualquier parte que se halle defectuosa, ya sea en el material o en la mano de obra, y sea devuelta (con los costos de envío pagados por Adelantado) a un centro de servicio autorizado designado por Mi-T-M, será reparada o reemplazada (no existe otra posibilidad) según lo determine Mi-T-M. Para obtener información sobre los procedimientos de reclamo cubiertos en la garantía limitada, vea la sección "atención oportuna" que aparece más adelante. Esta garantía limitada confiere al comprador derechos legales específicos que varían de jurisdicción a jurisdicción.

Limites de responsabilidad. En la medida en que las leyes aplicables lo permitan, la responsabilidad de Mi-T-M por los daños emergentes o incidentales está expresamente excluida. La responsabilidad de Mi-T-M expresamente está limitada y no puede exceder el precio de compra pagado por el artículo. Exclusión de responsabilidad de la garantía. Se han hecho esfuerzos diligentes para proporcionar información e ilustraciones apropiadas sobre el producto en este manual; sin embargo, esta información y las ilustraciones tienen como único propósito la identificación del producto y no EXPRESEN NI IMPLICAN GARANTIA DE QUE LOS PRODUCTOS SEAN VENDIBLES O ADECUADOS PARA UN PROPOSITO EN PARTICULAR NI QUE SE AJUSTAN NECESARIAMENTE A LAS ILUSTRACIONES O DESCRIPCIONES O DESCRIPCIONES. CON EXCEPCION DE LO QUE SE ESTABLECE A CONTINUACION, MI-T-M NO HACE NI AUTORIZA NINGUNA GARANTIA O AFIRMACION DE HECHO, EXPRESA O IMPLICITA, QUE NO SEA ESTIPULADA EN LA "GARANTIA LIMITADA" ANTERIOR. Consejo Técnico y Recomendaciones, Exclusiones de Responsabilidad. A pesar de las prácticas, negociaciones o usos comerciales realizados previamente, las ventas no deberán incluir el suministro de consejo técnico o asistencia o diseño del sistema. Mi-T-M no asume ninguna obligación o responsabilidad por recomendaciones, opiniones o consejos no autorizados sobre la elección, instalación o uso de los productos. Adaptación del Producto. Muchas jurisdicciones tienen códigos o regulaciones que rigen la venta, la construcción, la instalación y/o el uso de productos para ciertos propósitos que pueden variar con respecto a los aplicables a las zonas vecinas. Si bien se trata de que los productos Mi-T-M cumplan con dichos códigos, no se puede garantizar su conformidad y no se puede hacer responsable por la forma en que se instale o use su producto. Antes de comprar y usar el producto, revise su aplicación y todos los códigos y regulaciones nacionales y locales aplicables y asegúrese de que el producto, la instalación y el uso los cumplan. Ciertos aspectos de limitación de responsabilidad no se aplican a productos al consumidor; es decir (a) algunas jurisdicciones no permiten la exclusión ni limitación de daños incidentales o consecuentes, de modo que las limitaciones o exclusiones anteriores quizás no apliquen en su caso; (b) asimismo, algunas jurisdicciones no permiten limitar el plazo de una garantía implícita, por lo tanto, la limitación anterior quizás no aplique en su caso; y (c) por ley, mientras la Garantía Limitada esté vigente no podrán excluirse ni limitarse en modo alguno ninguna garantía implícita de comercialización o de idoneidad para un propósito en particular aplicables a los productos al consumidor adquiridos por éste. Atención Oportuna. Se hará un esfuerzo de buena fe para corregir puntualmente, o hacer otros ajustes, con respecto a cualquier producto que resulte defectuoso dentro de los términos de esta garantía limitada. En el caso de que encuentre un producto defectuoso y que esté cubierto dentro de los límites de esta garantía haga el favor de escribir primero, o llame, al distribuidor a quien le compró el producto. El distribuidor le dará las instrucciones adicionales. Si no puede resolver el problema en forma satisfactoria, escriba a Mi-T-M a la dirección a continuación, dando el nombre del distribuidor, su dirección, la fecha y el número de la factura del distribuidor y describa la naturaleza del defecto. La propiedad del artículo y el riesgo de pérdida pasan al comprador en el momento de la entrega del artículo a la compañía de transporte. Si el producto se daña durante el transporte, debe presentar su reclamo a la compañía transportista.

**For Service or Warranty Consideration, contact
Mi-T-M® Corporation, 50 Mi-T-M Drive, Peosta, IA 52068
563-556-7484 / 800-553-9053 / Fax 563-556-1235
Monday - Friday 8:00 a.m. - 5:00 p.m. CST**

Manufactured by Mi-T-M
50 Mi-T-M Drive, Peosta IA 52068
563-556-7484/ Fax 563-556-1235